

# PF-64 SERIES

## 150 PSI PUMP PACKAGE SYSTEM

### FEATURES

- Available in flow rates from 50 to 1,200 GPM.
- Standard unit equipped with PF-61 series separator.
- Cast iron bronze fitted, close-coupled end suction centrifugal pump with TEFC motor.
- Cast iron pre-strainer with removable SST basket.
- Control Panel - NEMA 4X cabinet with door disconnect switch, motor short circuit/overload protection, adjustable purge timer, purge and pump HOA switches.
- Skid - fusion bonded polyester coated carbon steel.
- Sch. 80 PVC interconnecting piping.
- Automatic purge complete with electrically actuated industrial grade ball valve.
- Options: Manual purge, removable dome, 22 1/2" profile separator.



### APPLICATION

PUROFLUX's PF-64 pump package systems are designed specifically to remove dirt, sand, silt, precipitates, and suspended solids from process fluids. The PF-64 pump package will remove unwanted contaminants resulting in increased system efficiency and decreased operating costs.

### TYPICAL APPLICATIONS INCLUDE:

- |                      |                         |                        |
|----------------------|-------------------------|------------------------|
| • Cooling Towers     | • Well Water            | • Industrial Processes |
| • Food Industries    | • Waste Water Discharge | • Automotive Processes |
| • Aquatic Exhibits   | • Potable Water         | • Chemical Processes   |
| • Irrigation Systems | • Fish Hatcheries       | • Car Washes           |

### RELIABILITY

The PF-64 package systems are designed to withstand the harshest environments and deliver long lasting reliability. Puroflux utilizes its extensive engineering background in process filtration / separation to provide simple, reliable systems that require minimal maintenance.

### SERVICE

Technical field service representatives are available to provide guidance for application, installation and repair in both domestic and international markets.

### AFFORDABILITY

PUROFLUX's PF-64 pump package system is an affordable alternative to other comparable types of filtration, and with its low initial investment, offers a quick return on investment.

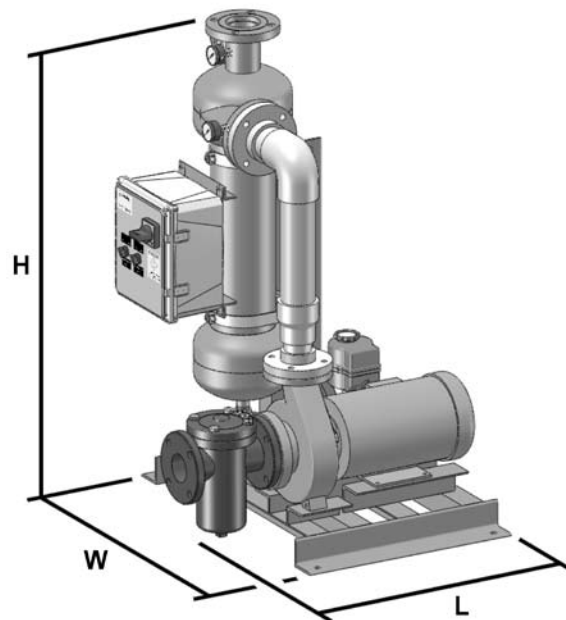
PF-64/01\_10



# PUROFLUX

C O R P O R A T I O N  
FILTRATION AND CONTROL SYSTEMS

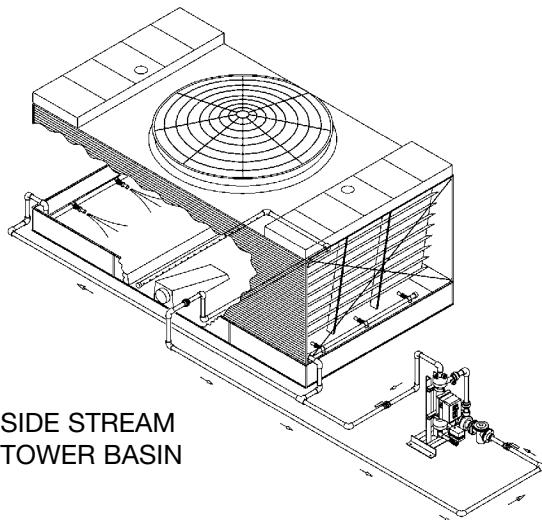
# PF-64 SERIES - 150 PSI Pump Package System



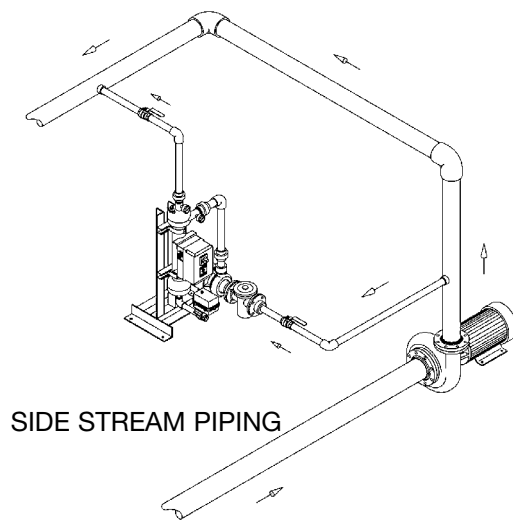
MODEL Number	FLOW RATE GPM	MOTOR HP	CONNECTION		PURGE Size	VOLUME Gallons	DIMENSIONS			WEIGHT, LBS	
			Inlet	Outlet			L	H	W	Shipping	Oper.
PF-64-012	50	2	2" flng	1.25" mpt	1" fpt	2	30"	42"	28"	314	330
PF-64-015	80	3	2" flng	1.5" mpt	1" fpt	2	30"	42"	28"	316	332
PF-64-020	110	5	3" flng	2" mpt	1" fpt	7	32"	50"	34"	380	437
PF-64-025	160	5	3" flng	2.5" mpt	1" fpt	8	34"	50"	34"	530	591
PF-64-030	220	7.5	3" flng	3" flng	1" fpt	8	34"	51"	34"	577	643
PF-64-040A	330	10	4" flng	4" flng	1.5" fpt	15	40"	63"	36"	800	926
PF-64-040B	400	10	4" flng	4" flng	1.5" fpt	15	40"	63"	36"	861	988
PF-64-050	600	15	6" flng	5" flng	1.5" fpt	24	47"	75"	42"	1045	1245
PF-64-060A	900	20	6" flng	6" flng	1.5" fpt	40	49"	88"	46"	1400	1732
PF-64-060B	1200	25	8" flng	6" flng	1.5" fpt	40	55"	88"	46"	1520	1852

Consult factory for higher flow rate packages.

## TYPICAL INSTALLATION



SIDE STREAM TOWER BASIN



SIDE STREAM PIPING

