



PF-40 SERIES

Designed For Larger Process And Industrial Applications

FEATURES

- Available in flow rates from 65 to 1,000 GPM.
- Positive filtration down to 10 micron (5 micron optional).
- Fusion bonded epoxy lined/polyester coated carbon steel vessel rated at 50 psi (optional higher pressure ratings and ASME code stamp available).
- Cast iron lug style butterfly valves with aluminum bronze disc.
- Automatic option includes: NEMA 4X control cabinet, door disconnect switch, pressure differential switch, pneumatic actuator, adjustable solid state timer and 24 hr. backwash clock.
- Optional pump, pre-strainer, face piping skid and electric actuator available.



APPLICATION

PUROFLUX's PF-40 series filtration systems are designed specifically to handle a wide variety of industrial water filtration applications. PF-40 permanent media filters use a silica sand media that easily backwashes for cleaning. A variety of media are available and can be combined in the PF-40 to provide filtration in "stages" to optimize the filter's performance. The PF-40 filter provides an excellent method for removing dirt, precipitates and suspended solids.

TYPICAL APPLICATIONS INCLUDE:

- Cooling Towers
- Waste Water Discharge
- Pre-Filtration for Reverse Osmosis
- Secondary Water Treatment
- Pre-Filtration for Microfiltration
- Irrigation Systems
- Food Industries
- Aquatic Exhibits
- Fish Hatcheries

RELIABILITY

The PF-40 permanent media filters are designed to withstand the harshest environments and deliver long lasting reliability. PUROFLUX utilizes its extensive engineering background in process filtration and water treatment to provide simple, reliable systems that require minimum maintenance.

SERVICE

Technical field service representatives are available to provide guidance for application, installation and repair in both domestic and international markets.

AFFORDABILITY

By using various flow rates and available media, the PF-40 can be applied to a wide variety of filter applications, ranging from single pass/full flow to multiple pass/recirculating systems. Optional configurations within the PF-40 series can be engineered to meet specific filtration requirements.

PF-40/05_10

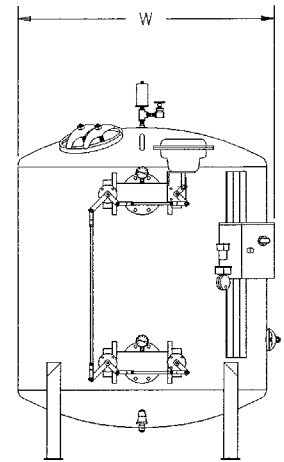
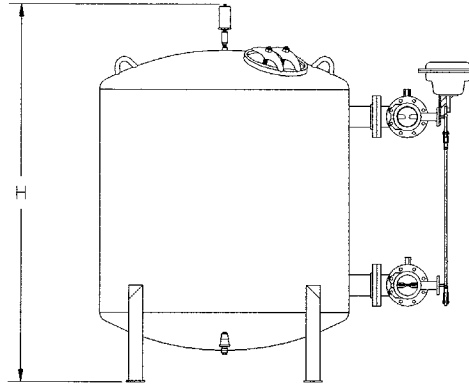
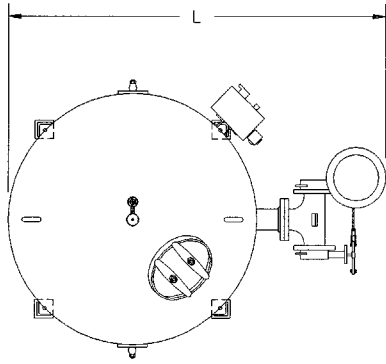


PUROFLUX

C O R P O R A T I O N

FILTRATION AND CONTROL SYSTEMS

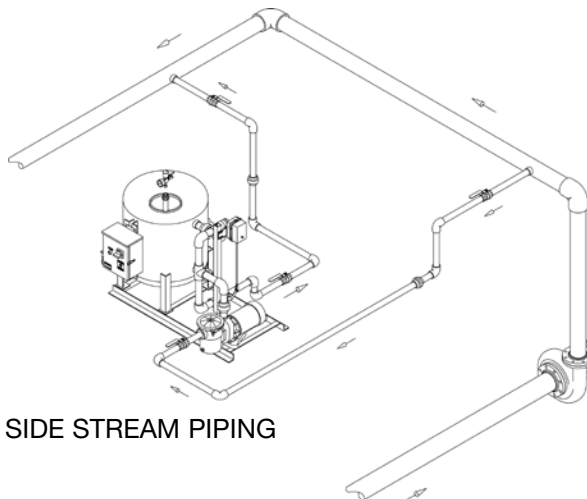
PF-40 SERIES - Designed For Larger Process And Industrial Applications



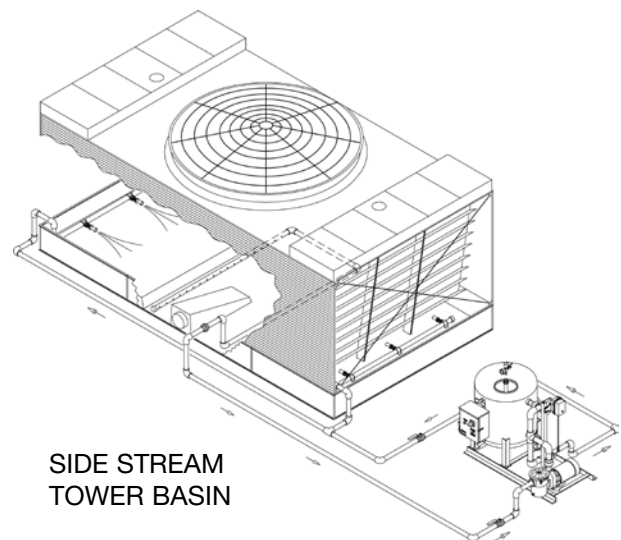
MODEL Number	FLOW RATE GPM	FILTRATION AREA Sq. Ft.	VALVE SIZE Inches	DIMENSIONS			WEIGHT, LBS	
				L	H	W	Shipping	Oper.
PF-4024	65	3.14	2.0	48"	62"	34"	1100	1610
PF-4030	100	4.91	2.0	54"	64"	38"	1850	2700
PF-4036	140	7.10	3.0	60"	66"	44"	2245	3740
PF-4042	190	9.60	3.0	70"	80"	48"	3925	6290
PF-4048	250	12.60	4.0	76"	82"	54"	5185	8290
PF-4054	315	15.90	4.0	82"	82"	58"	6685	10615
PF-4060	390	19.60	4.0	88"	84"	64"	8400	13500
PF-4066	475	23.80	4.0	94"	86"	68"	10360	16445
PF-4072	565	28.30	6.0	105"	88"	74"	13100	20600
PF-4078	665	33.20	6.0	108"	90"	80"	16030	25280
PF-4084	770	38.50	6.0	116"	92"	86"	19600	30435
PF-4090	885	44.20	6.0	124"	94"	92"	22350	35000
PF-4096	1000	50.30	8.0	132"	100"	98"	28975	43585

* Dimensions are approximate.
** Shipping weight includes media.

TYPICAL INSTALLATION



SIDE STREAM PIPING



SIDE STREAM TOWER BASIN



(805) 579-0216 Fax: 579-6005
website: www.puroflux.com • e-mail: sales@puroflux.com