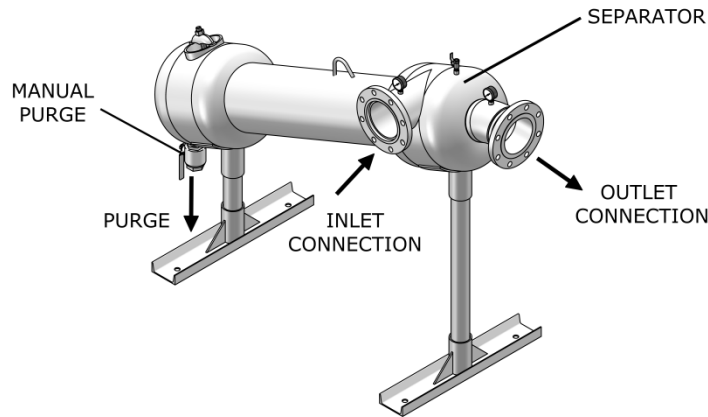


PF-65-100 SPECIFICATION SHEET FLANGED SEPARATOR



Features:

- True tangential entry
- 150 psi working pressure
- Five year limited warranty
- Electrically actuated ball valve
- 22 1/2° Profile vessel

Options:

- Automatic purge
- Isolation valve kit
- Wall mounting brackets/legs
- Inspection port

SYSTEM COMPONENTS

Separator :

- Carbon steel construction
- Fusion-bond polyester coated vessel
- Manual air bleed valve
- Inlet/Outlet pressure gauges

Electrical Controls :

- NEMA 4X Enclosure
- Short circuit protection
- Purge switch selector
- Adjustable purge timer

SPECIFICATIONS	PF-65-100
Flow Range	1965-3930 GPM
System Inlet Connection	10" Flg
System Outlet Connection	10" Flg
Purge Connection	2" fpt
Manual Air Bleed Valve	1/4" fpt
Volume	98 GAL
Est. Weight, Dry	1056 lbs
Est. Weight, Operating	1870 lbs
Handhole – Inspection/Cleanout	4" x 6"

PRESSURE DROP vs. FLOW RATE							
Pressure Drop	3 psi	4 psi	6 psi	8 psi	10 psi	12 psi	CV Factor
Flow (GPM)	1965	2269	2779	3902	3587	3930	1134.4

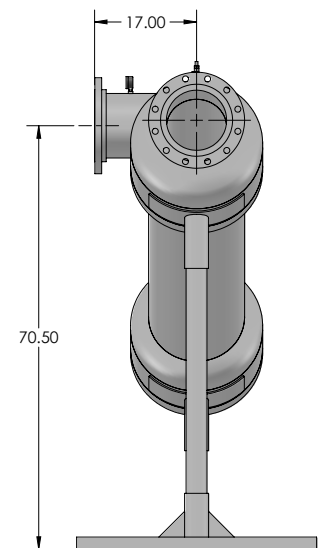
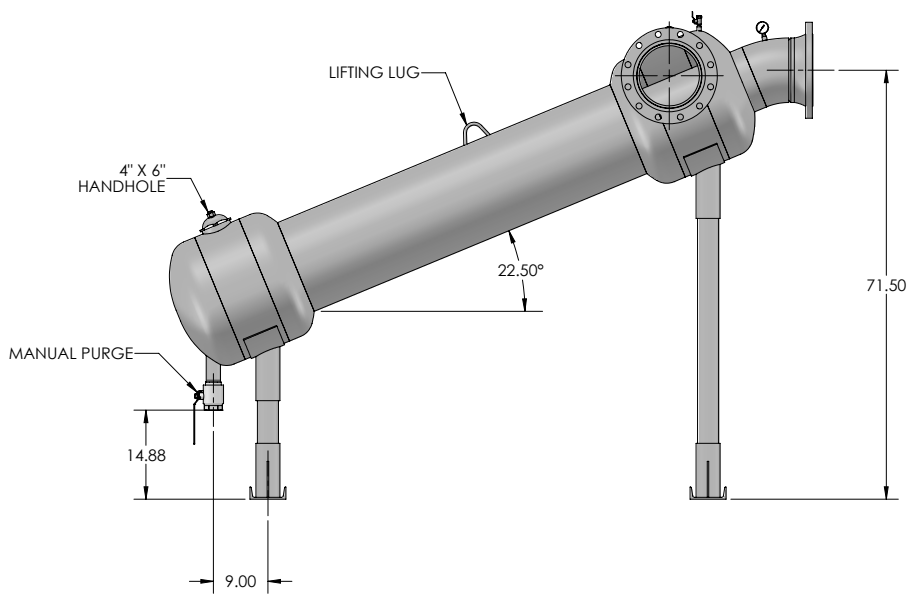
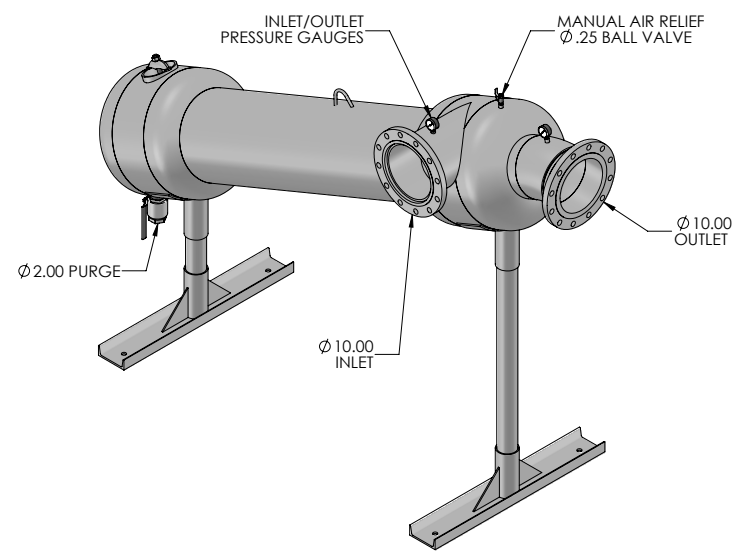
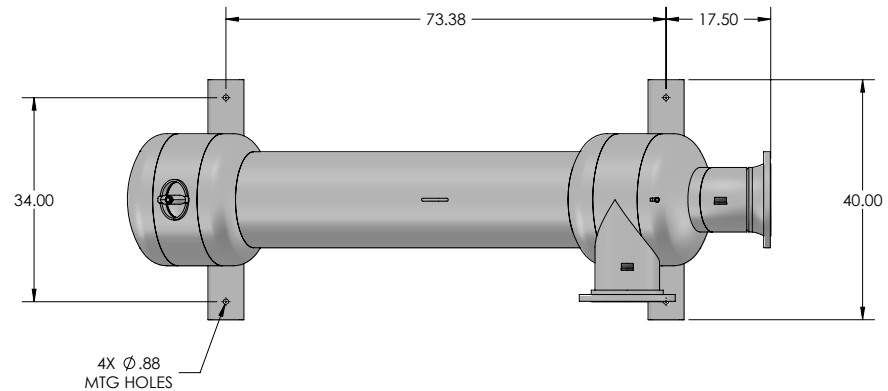
*(Flow rate / CV values may vary slightly)


To determine the approximate pressure drop at flow rates not shown in this chart, use the following formula $\Delta P = (\text{FLOW RATE} / \text{CV})^2$

CV Factor: CV is defined as the flow in gallons per minute (GPM) that will produce a one pound pressure drop across the separator

4. OK TO SUBSTITUTE HEAD SLUG FOR ITEM 8
3. LOCATE AIR PORT AT HIGH POINT OF HEAD
2. OUTSIDE WALL OF INLET PIPING TO MEET TANGENT OF SHELL EXTERIOR
1. ALL DIMENSIONS ARE IN INCHES

REVISIONS			
REV	DESCRIPTION	DATE	APPROVED
C	UPDATED SEPARATOR	8-26-15	D.L.



PROPRIETARY AND CONFIDENTIAL THE INFORMATION CONTAINED IN THIS DRAWING IS THE SOLE PROPERTY OF PUROFLUX CORPORATION. ANY REPRODUCTION IN PART OR AS A WHOLE WITHOUT THE WRITTEN PERMISSION OF PUROFLUX CORPORATION IS PROHIBITED.	PF-65-100 SEPARATOR 1965 - 3930 GPM - 22.5° PROFILE		 PUROFLUX CORPORATION
	SIZE C	DWG NO. 651-0005	
DRAWN K. CARTER	RELEASE DATE 2-11-02	SCALE NONE	WWW.PUROFLUX.COM SHEET 1 OF 1