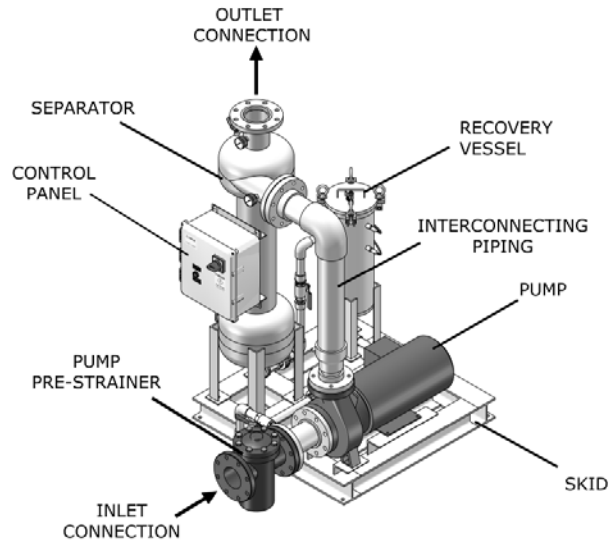


PF-63-050 SPECIFICATION SHEET PUMP PACKAGE SYSTEM



Features:

- Removes particulate as low as 45 microns
- 150 psi working pressure
- Fully assembled skid package
- One year limited warranty

Options:

- Removable dome separator
- 22 1/2° Profile separator
- Coated carbon steel piping
- Isolation valve kit
- Dry contact for alarm

SYSTEM COMPONENTS

| SPECIFICATIONS | PF-63-050 |
|--------------------------|------------|
| Flow Rate | 600 GPM |
| System Inlet Connection | 6" Flg |
| System Outlet Connection | 5" Flg |
| Recovery Vessel Model | PF-RV-1S |
| Separator Model | PF-61-050 |
| Separator Purge | Continuous |
| Pump Motor | 15 HP |
| Volume | 34 GAL |
| Est. Weight, Dry | 1335 lbs |
| Est. Weight, Operating | 1782 lbs |

Separator :

- PF-61 Series separator
- Fusion-bond polyester coated vessel
- Manual air bleed valve
- Inlet/Outlet pressure gauges

Electrical Controls :

- UL labeled control panel with NEMA 4X Enclosure
- Door disconnect switch
- Short circuit and Motor overload protection
- Hand-Off-Auto switches

Pump :

- Centrifugal pump
- TEFC motor
- Cast iron pre-strainer

Recovery Vessel :

- 304 Stainless steel vessel
- Pressure differential indicator
- Automatic flow controller

Skid :

- Fusion-bond polyester coated carbon steel

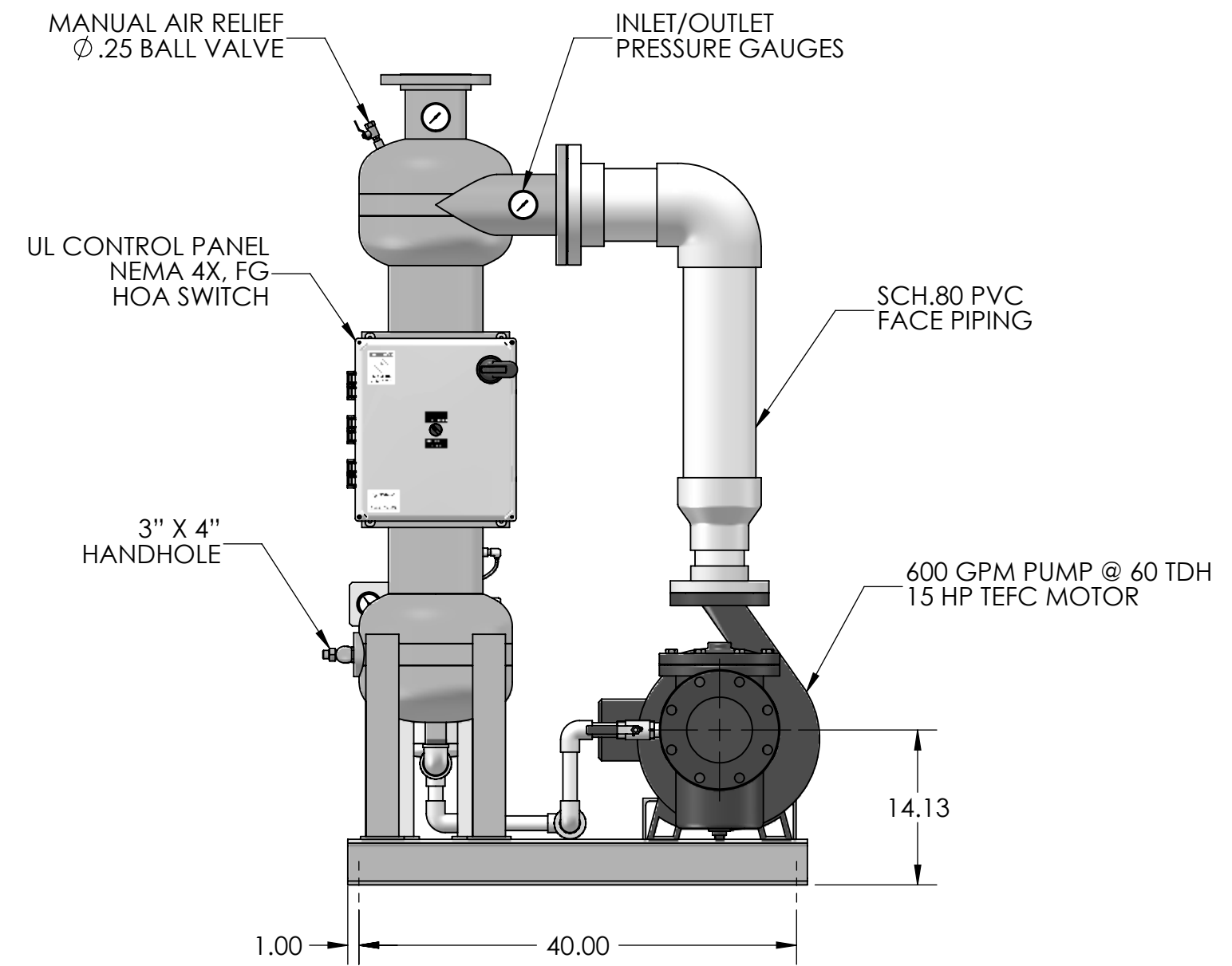
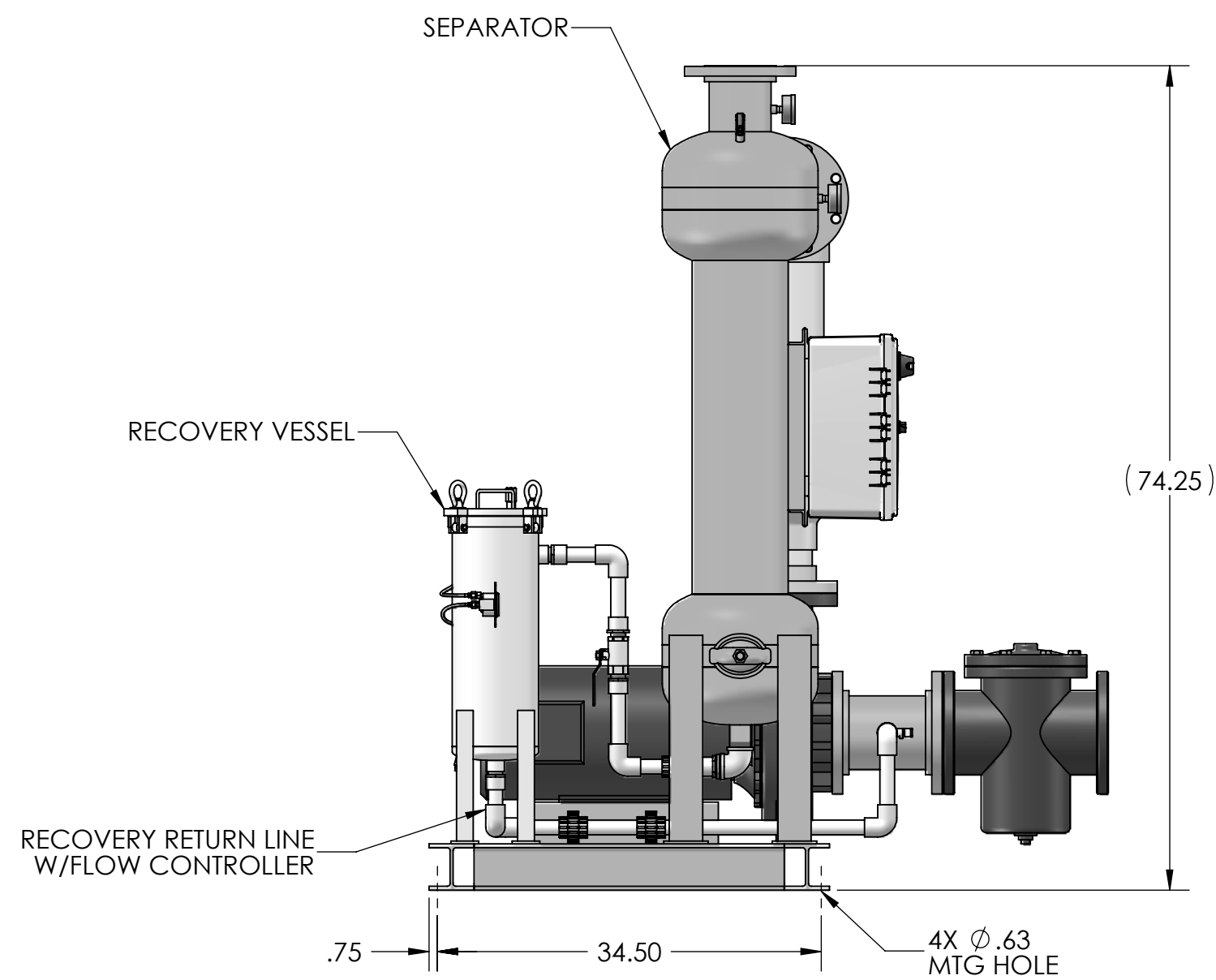
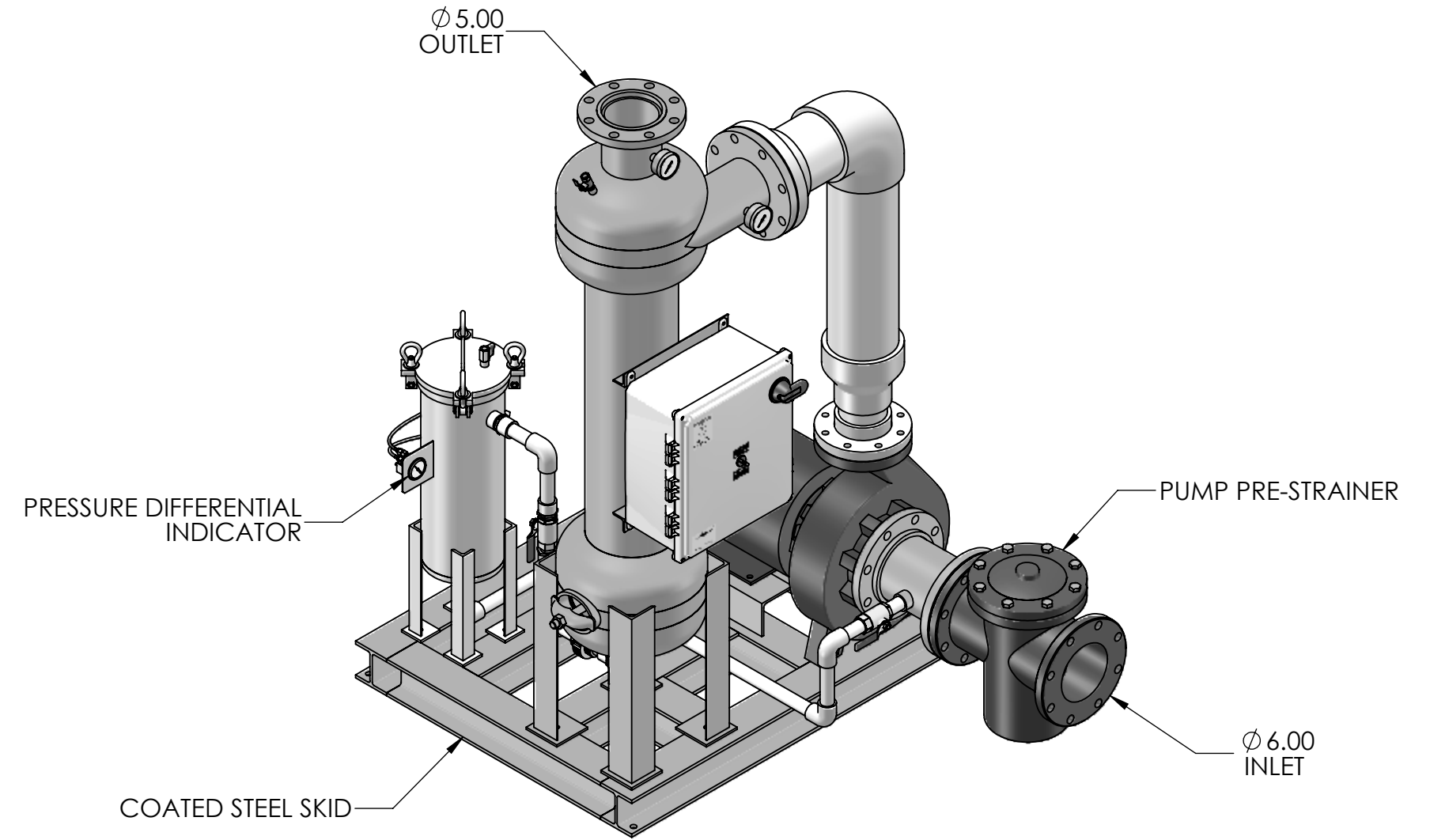
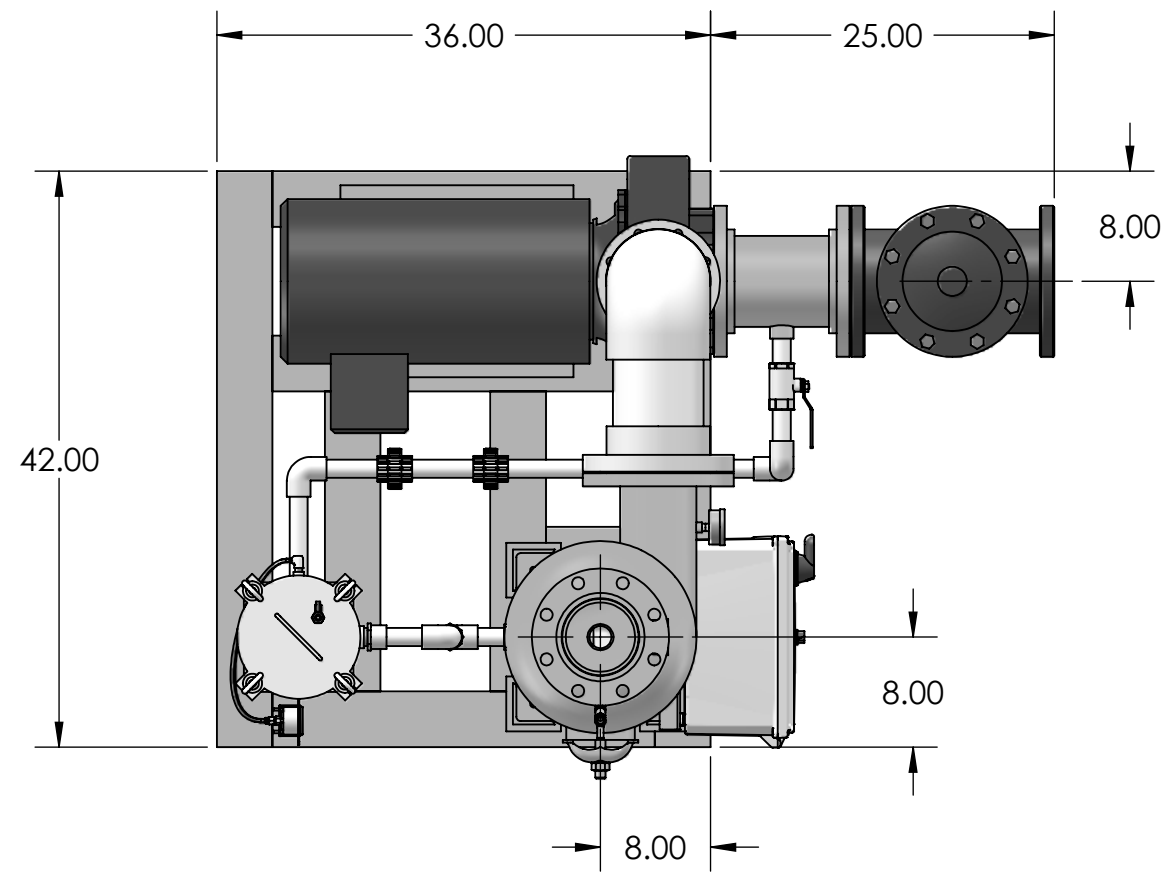
Interconnecting Pipe :

- Sch.80 PVC piping

NOTES: UNLESS OTHERWISE SPECIFIED

1. DIMENSIONS ARE IN INCHES
2. DIMENSIONS MAY VARY SLIGHTLY - DO NOT USE FOR CONSTRUCTION
3. SEPARATOR SYSTEM IS RATED FOR 150 PSI WORKING PRESSURE

| REVISIONS | | | |
|-----------|-------------|------|----------|
| REV | DESCRIPTION | DATE | APPROVED |
| - | | | |



| | | | | |
|--|---|---------------------|-----------------------------|------------------|
| PROPRIETARY AND CONFIDENTIAL THE INFORMATION CONTAINED IN THIS DRAWING IS THE SOLE PROPERTY OF PUROFLUX CORPORATION. ANY REPRODUCTION IN PART OR AS A WHOLE WITHOUT THE WRITTEN PERMISSION OF PUROFLUX CORPORATION IS PROHIBITED. | PF-63-050 SEPARATOR PACKAGE 600 GPM - WITH RECOVERY VESSEL | | | |
| | SIZE DWG NO. C 631-0532 | REV - | PUROFLUX CORPORATION | |
| | DRAWN C. NIELSEN | RELEASE DATE 6-7-16 | SCALE NONE | WWW.PUROFLUX.COM |
| | | | SHEET 1 OF 1 | |

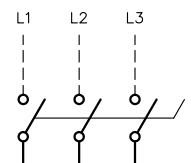
4

3

2

1

POWER SUPPLY
LOCKABLE NON-FUSED
DISCONNECT SWITCH



MCP

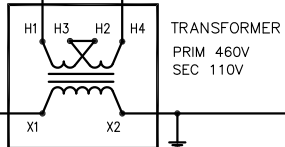
MR



PUMP MOTOR

PRIMARY
FUSES

SECONDARY
FUSE



GND

PUMP
SELECTOR
SWITCH

LOCAL
OFF
REMOTE

MCP TRIP

A1 (MR) A2

MOTOR
RELAY

CUSTOMER CONTACT
REMOTE STOP/START

| REVISIONS | | | |
|-----------|-------------|------|----------|
| REV | DESCRIPTION | DATE | APPROVED |
| | | | |

| PUMP MOTOR FULL LOAD AMPS (3 ϕ , 60Hz) | | | | |
|--|-----------|-----------|-----------|-----------|
| MOTOR HP | 208 VOLTS | 230 VOLTS | 460 VOLTS | 575 VOLTS |
| 2 | 6.44 | 5.6 | 2.8 | 2.24 |
| 3 | 9.59 | 8.34 | 4.17 | 3.34 |
| 5 | 15.5 | 13.5 | 5.76 | 5.41 |
| 7.5 | 22.4 | 19.5 | 9.79 | 7.81 |
| 10 | 29.2 | 25.4 | 12.7 | 10.1 |
| 15 | 45.1 | 39.2 | 19.6 | 15.7 |
| 20 | 58.9 | 51.2 | 25.6 | 20.5 |
| 25 | 74.5 | 64.8 | 32.4 | 25.9 |
| 30 | 86.9 | 75.6 | 37.8 | 30.2 |
| 40 | 116.0 | 101.0 | 50.4 | 40.3 |

FULL LOAD CURRENTS LISTED ABOVE ARE "AVERAGE VALUES" FOR HORSEPOWER RATED MOTORS OF SEVERAL MANUFACTURERS. THE RATED FULL LOAD CURRENT SHOWN ON THE MOTOR NAMEPLATE MAY VARY BY MANUFACTURER.

NOTES

NOTES: UNLESS OTHERWISE SPECIFIED

- BRANCH CIRCUIT PROTECTION SUPPLIED BY OTHERS
- PANEL U.L. LISTED AND LABELED
- DASHED LINES INDICATE FIELD WIRING
- SWITCH OPERATION
"LOCAL" - REMOTE STOP/START OVERRIDE
"OFF" - FILTER "OFF"
"AUTO" - FILTER ON/OFF VIA REMOTE STOP/STOP

WARNING

If an overload or fault current interruption occurs, circuits must be checked to determine the cause of the interruption. If a fault condition exists, the current carrying components should be examined and replaced if damaged, and the integral current sensors must be replaced to reduce the risk of fire or electric shock.

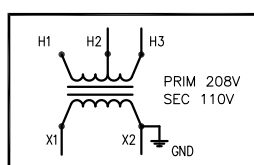
CAUTION - RISK OF ELECTRICAL SHOCK

More than one disconnect switch may be required to de-energize the equipment before servicing.

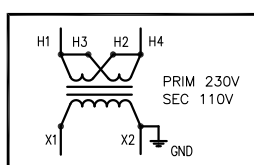
WARNING - RISK OF FIRE OR ELECTRIC SHOCK

The opening of the branch circuit protective device may be an indication that a fault current has been interrupted. All current carrying parts and other components protected by this device should be examined and replaced if damaged. If burnout of a current element of an overload relay occurs, the complete overload relay must be replaced.

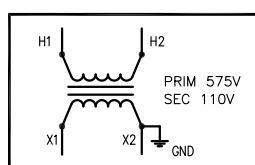
ALTERNATE - 208V



ALTERNATE - 230V



ALTERNATE - 575V



PROPRIETARY AND CONFIDENTIAL

THE INFORMATION CONTAINED IN THIS DRAWING IS THE SOLE PROPERTY OF PUROFLUX CORPORATION. ANY REPRODUCTION IN PART OR AS A WHOLE WITHOUT THE WRITTEN PERMISSION OF PUROFLUX CORPORATION IS STRICTLY PROHIBITED.

U.L. CONTROL PANEL : PF-63 SERIES
CONTROL PANEL WITH PUMP HOA

SIZE C DWG NO. UL2-1921 REV -

DRAWN K. CARTER RELEASE DATE 7-15-16 SCALE NONE

PUROFLUX CORPORATION

WWW.PUROFLUX.COM SHEET 1 OF 1

4

3

2

1

D

C

B

A

D

C

B

A