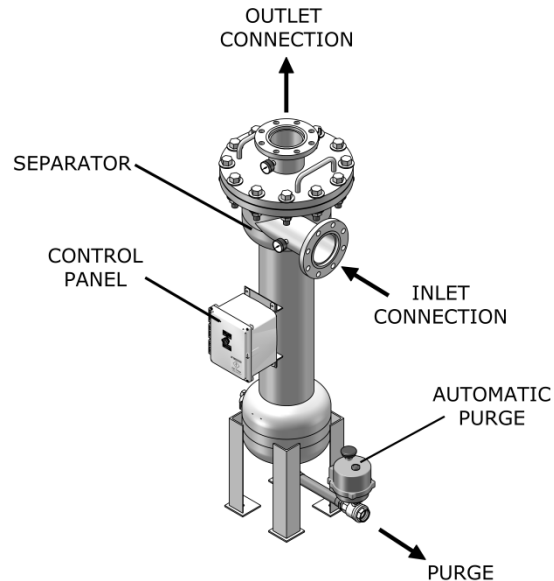


## PF-62-080 SPECIFICATION SHEET FLANGED SEPARATOR



### Features:

- True tangential entry
- 150 psi working pressure
- Five year limited warranty
- Electrically actuated ball valve
- Flanged removable dome

### Options:

- Manual purge
- Isolation valve kit
- Wall mounting brackets/legs
- Inspection port

### SYSTEM COMPONENTS

#### Separator :

- Carbon steel construction
- Fusion-bond polyester coated vessel
- Manual air bleed valve
- Inlet/Outlet pressure gauges

#### Electrical Controls :

- NEMA 4X Enclosure
- Short circuit protection
- Purge switch selector
- Adjustable purge timer

| SPECIFICATIONS                 | PF-62-080     |
|--------------------------------|---------------|
| Flow Range                     | 1170-2355 GPM |
| System Inlet Connection        | 8" Flg        |
| System Outlet Connection       | 8" Flg        |
| Purge Connection               | 1 1/2" fpt    |
| Manual Air Bleed Valve         | 1/4" fpt      |
| Volume                         | 52 GAL        |
| Est. Weight, Dry               | 865 lbs       |
| Est. Weight, Operating         | 1330 lbs      |
| Handhole – Inspection/Cleanout | 4" x 6"       |

| PRESSURE DROP vs. FLOW RATE |       |       |       |       |        |        |           |
|-----------------------------|-------|-------|-------|-------|--------|--------|-----------|
| Pressure Drop               | 3 psi | 4 psi | 6 psi | 8 psi | 10 psi | 12 psi | CV Factor |
| Flow (GPM)                  | 1177  | 1359  | 1664  | 1922  | 2148   | 2354   | 679.4     |

\*(Flow rate / CV values may vary slightly)

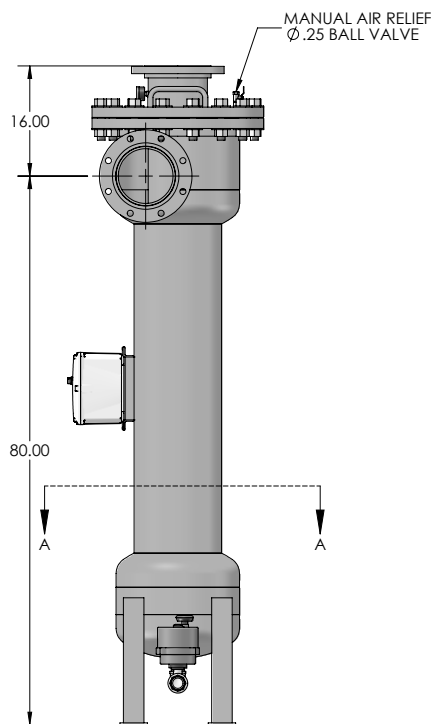
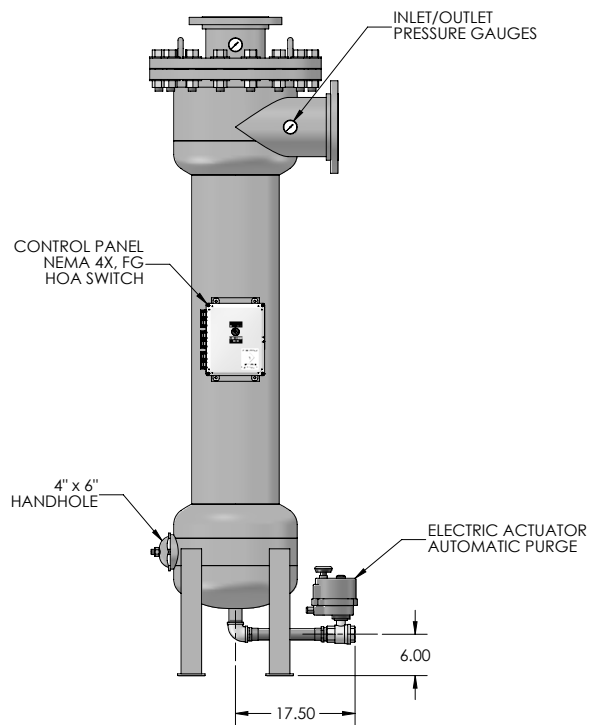
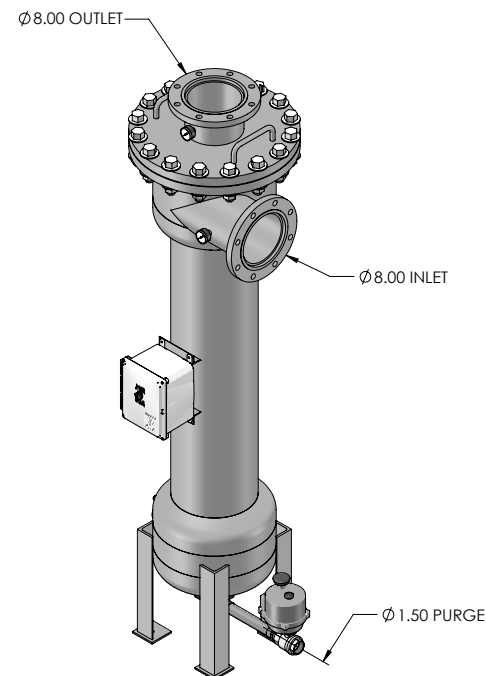
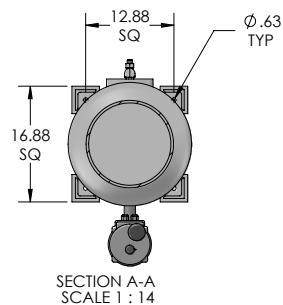
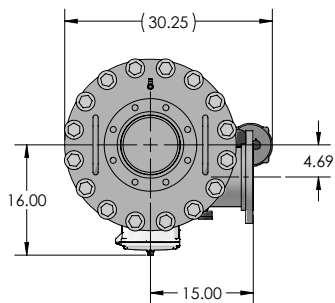
To determine the approximate pressure drop at flow rates not shown in this chart, use the following formula  $\Delta P = (\text{FLOW RATE} / \text{CV})^2$


CV Factor: CV is defined as the flow in gallons per minute (GPM) that will produce a one pound pressure drop across the separator

NOTES: UNLESS OTHERWISE SPECIFIED

1. DIMENSIONS ARE IN INCHES
2. DIMENSIONS MAY VARY SLIGHTLY - DO NOT USE FOR CONSTRUCTION
3. SEPARATOR SYSTEM IS RATED FOR 150 PSI WORKING PRESSURE
4. VESSEL CONSTRUCTION: CARBON STEEL TANK  
EPOXY COATED EXTERIOR

| REVISIONS |                       |         |          |
|-----------|-----------------------|---------|----------|
| REV       | DESCRIPTION           | DATE    | APPROVED |
| B         | UPDATED TO SOLIDWORKS | 12-7-12 | D.L.     |



|  |   |  |   |
|--|---|--|---|
| PROPRIETARY AND CONFIDENTIAL<br>THE INFORMATION CONTAINED IN THIS DRAWING IS THE SOLE PROPERTY OF PUROFLUX CORPORATION. ANY REPRODUCTION IN PART OR AS A WHOLE WITHOUT THE WRITTEN PERMISSION OF PUROFLUX CORPORATION IS PROHIBITED. | PF-62-080-AP SEPARATOR<br>1170-2355 GPM AUTOMATIC PURGE |  |  |
|  | SIZE C<br>DWG NO. 621-0021<br>DRAWN K. CARTER           | REV B<br>RELEASE DATE 2-5-02<br>SCALE NONE |   |

| REVISIONS |               |         |          |
|-----------|---------------|---------|----------|
| REV       | DESCRIPTION   | DATE    | APPROVED |
| A         | REVISED TIMER | 5-24-16 | K.C.     |

**WARNING !!!!!**

THE EXTERNAL HAND WHEEL LOCATED ON THE PURGE ACTUATOR IS ONLY TO BE USED WHEN THERE IS NO POWER TO THE ACTUATOR. DISCONNECT POWER TO THE CONTROL PANEL BEFORE USING THIS FEATURE OR DAMAGE MAY OCCUR TO THE ACTUATOR.

THIS FEATURE IS FOR EMERGENCIES ONLY!

IF VALVE DOES NOT OPEN OR CLOSE FULLY ADJUST ACTUATOR CAMS TO CORRECT THE PROBLEM.

**TIMER SETTINGS**

THE PUROFLUX AUTO PURGE TIMER IS EQUIPPED WITH CONTROL DIALS TO PROGRAM THE PURGING CYCLES TO MATCH YOUR SPECIFIC NEEDS.

**\*\* POWER SHOULD BE TURNED OFF BEFORE CHANGING SETTINGS \*\***

OPERATION MODE

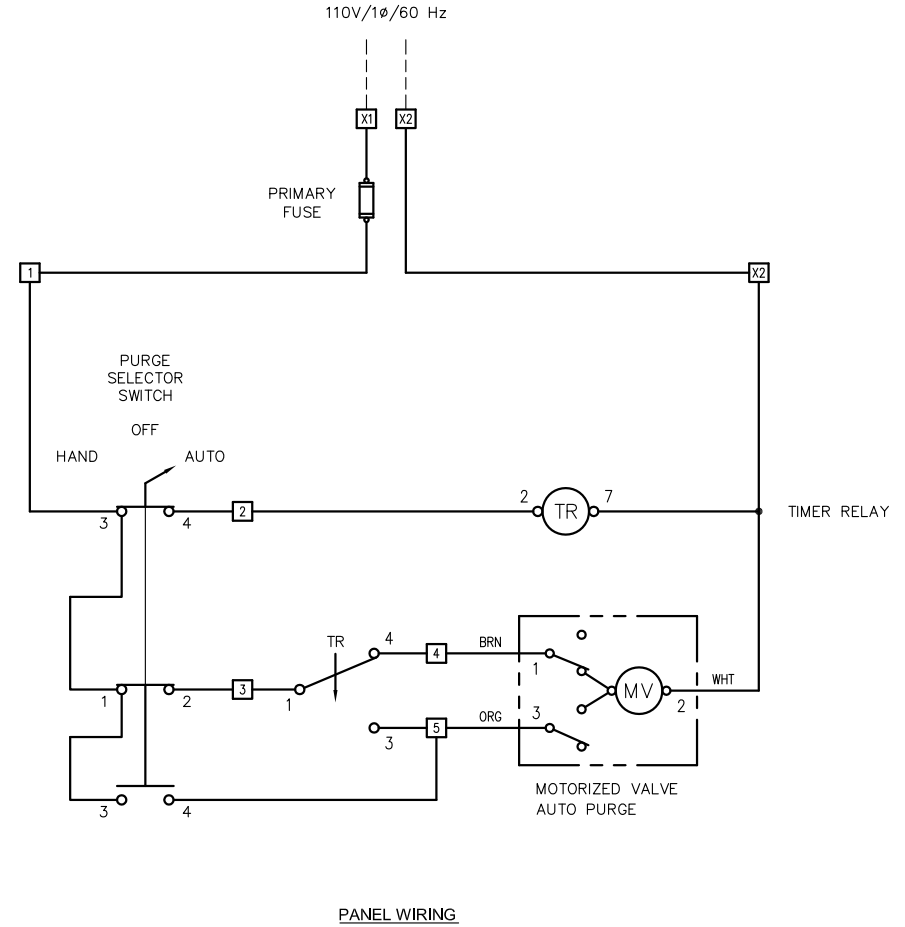
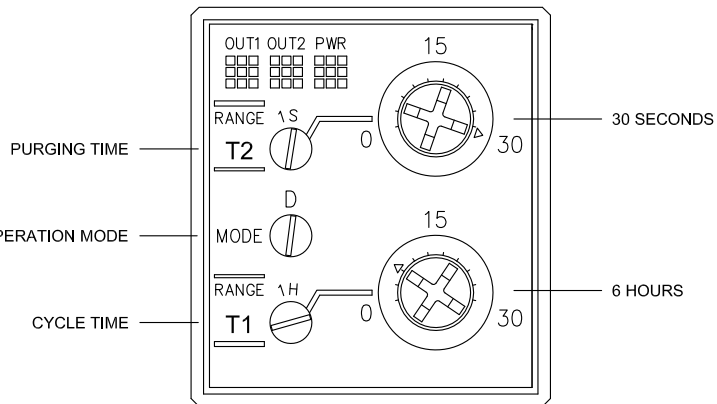
MIDDLE DIAL (MODE) : TIMER OPERATION MODE  
FACTORY SETTING : "D"

CYCLE TIME

LOWER DIAL (T1) : FREQUENCY OF PURGING  
RANGE (1H) : 36 MINUTES TO 30 HOURS  
FACTORY SETTING : EVERY 6 HOURS

PURGING TIME

UPPER DIAL (T2) : DURATION OF PURGING  
RANGE (1S) : 0.6 TO 30 SECONDS  
FACTORY SETTING : 30 SECONDS



PANEL WIRING

|   |   |  |  |
|---|---|--|--|
| PROPRIETARY AND CONFIDENTIAL<br>THE INFORMATION CONTAINED IN THIS DRAWING IS THE SOLE PROPERTY OF PUROFLUX CORPORATION. ANY REPRODUCTION IN PART OR AS A WHOLE WITHOUT THE WRITTEN PERMISSION OF PUROFLUX CORPORATION IS STRICTLY PROHIBITED. | WIRING DIAGRAM : 120V/1φ/60Hz<br>AUTOMATIC PURGE PANEL - VALBIA |  |  |
|   | SIZE C<br>DWG NO. 612-0046<br>DRAWN K. CARTER                   | REV A<br>RELEASE DATE 02-01-02<br>SCALE NONE |  |