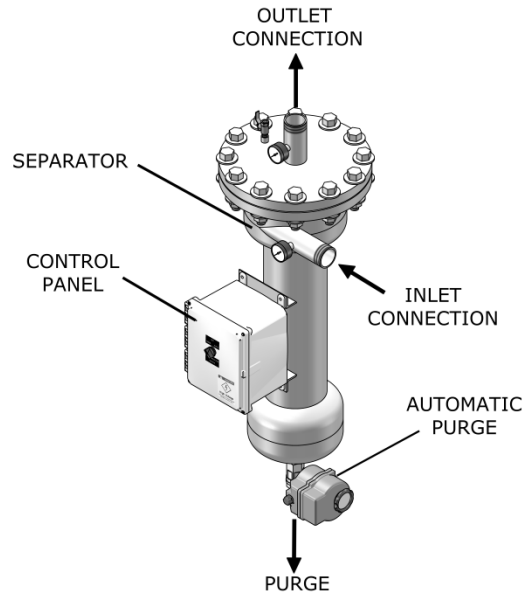


PF-62-015 SPECIFICATION SHEET THREADED SEPARATOR



Features:

- True tangential entry
- 150 psi working pressure
- Five year limited warranty
- Electrically actuated ball valve
- Flanged removable dome

Options:

- Manual purge
- Isolation valve kit
- Wall mounting brackets/legs
- Inspection port

SYSTEM COMPONENTS

Separator :

- Carbon steel construction
- Fusion-bond polyester coated vessel
- Manual air bleed valve
- Inlet/Outlet pressure gauges

Electrical Controls :

- NEMA 4X Enclosure
- Short circuit protection
- Purge switch selector
- Adjustable purge timer

SPECIFICATIONS	PF-62-015
Flow Range	50-100 GPM
System Inlet Connection	1 1/2" mpt
System Outlet Connection	1 1/2" mpt
Purge Connection	1" fpt
Manual Air Bleed Valve	1/4" fpt
Volume	2 GAL
Est. Weight, Dry	70 lbs
Est. Weight, Operating	83 lbs

PRESSURE DROP vs. FLOW RATE							
Pressure Drop	3 psi	4 psi	6 psi	8 psi	10 psi	12 psi	CV Factor
Flow (GPM)	51	59	72	83	93	102	29.5

*(Flow rate / CV values may vary slightly)

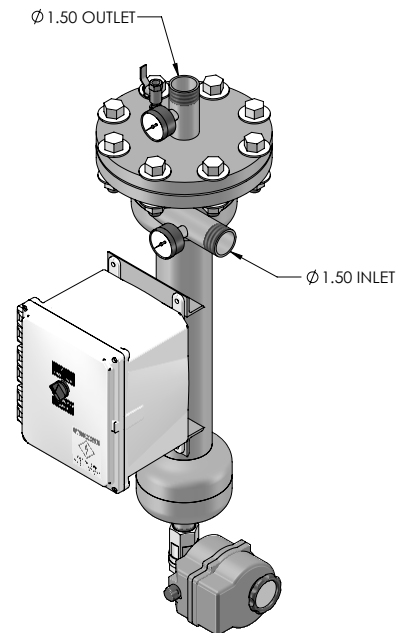
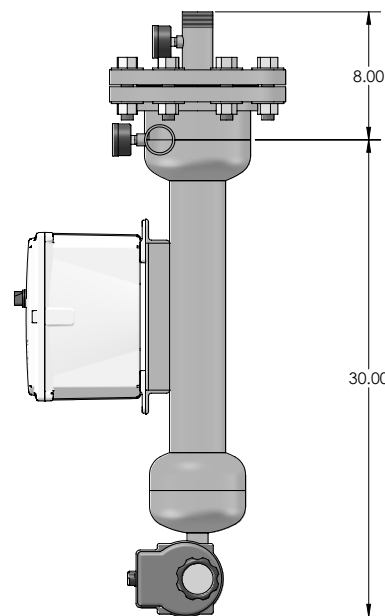
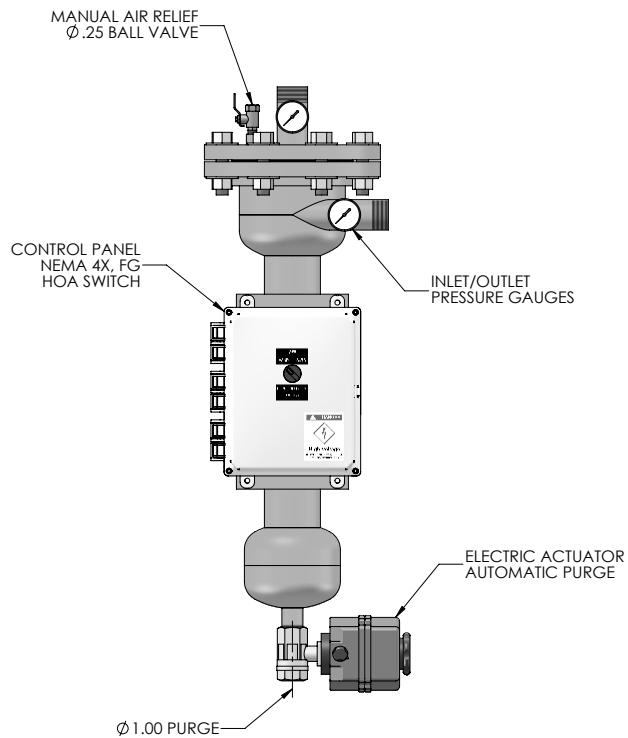
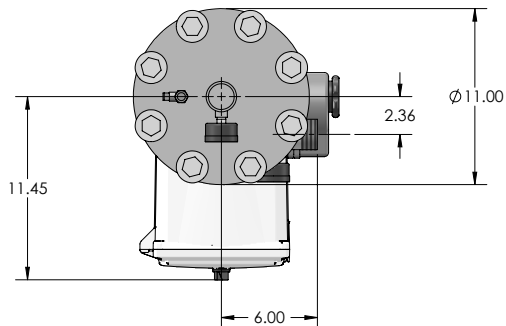
To determine the approximate pressure drop at flow rates not shown in this chart, use the following formula $\Delta P = (\text{FLOW RATE} / \text{CV})^2$


CV Factor: CV is defined as the flow in gallons per minute (GPM) that will produce a one pound pressure drop across the separator

NOTES: UNLESS OTHERWISE SPECIFIED

1. DIMENSIONS ARE IN INCHES
2. DIMENSIONS MAY VARY SLIGHTLY - DO NOT USE FOR CONSTRUCTION
3. SEPARATOR SYSTEM IS RATED FOR 150 PSI WORKING PRESSURE
4. VESSEL CONSTRUCTION: CARBON STEEL TANK
EPOXY COATED EXTERIOR

REVISIONS			
REV	DESCRIPTION	DATE	APPROVED
B	UPDATED TO SOLIDWORKS	03-15-10	D.L.



PROPRIETARY AND CONFIDENTIAL THE INFORMATION CONTAINED IN THIS DRAWING IS THE SOLE PROPERTY OF PUROFLUX CORPORATION. ANY REPRODUCTION IN PART OR AS A WHOLE WITHOUT THE WRITTEN PERMISSION OF PUROFLUX CORPORATION IS PROHIBITED.	PF-62-015 REMOVABLE DOME 50-100 - AUTOMATIC PURGE		 PUROFLUX CORPORATION
	SIZE C DWG NO. 621-0014 DRAWN K. CARTER	REV B RELEASE DATE 02-05-02 SCALE NONE	

REVISIONS			
REV	DESCRIPTION	DATE	APPROVED
B	REVISED TIMER	5-24-16	K.C.

WARNING !!!!!

THE EMERGENCY "MAN" SWITCH AND EXTERNAL HAND WHEEL LOCATED ON THE PURGE ACTUATOR ARE ONLY TO BE USED WHEN THERE IS NO POWER TO THE ACTUATOR. DISCONNECT POWER TO THE CONTROL PANEL BEFORE USING THIS FEATURE OR DAMAGE MAY OCCUR TO THE ACTUATOR.

THIS FEATURE IS FOR EMERGENCIES ONLY!

IF VALVE DOES NOT OPEN OR CLOSE FULLY ADJUST ACTUATOR CAMS TO CORRECT THE PROBLEM.

TIMER SETTINGS

THE PUROFLUX AUTO PURGE TIMER IS EQUIPPED WITH CONTROL DIALS TO PROGRAM THE PURGING CYCLES TO MATCH YOUR SPECIFIC NEEDS.

**** POWER SHOULD BE TURNED OFF BEFORE CHANGING SETTINGS ****

OPERATION MODE

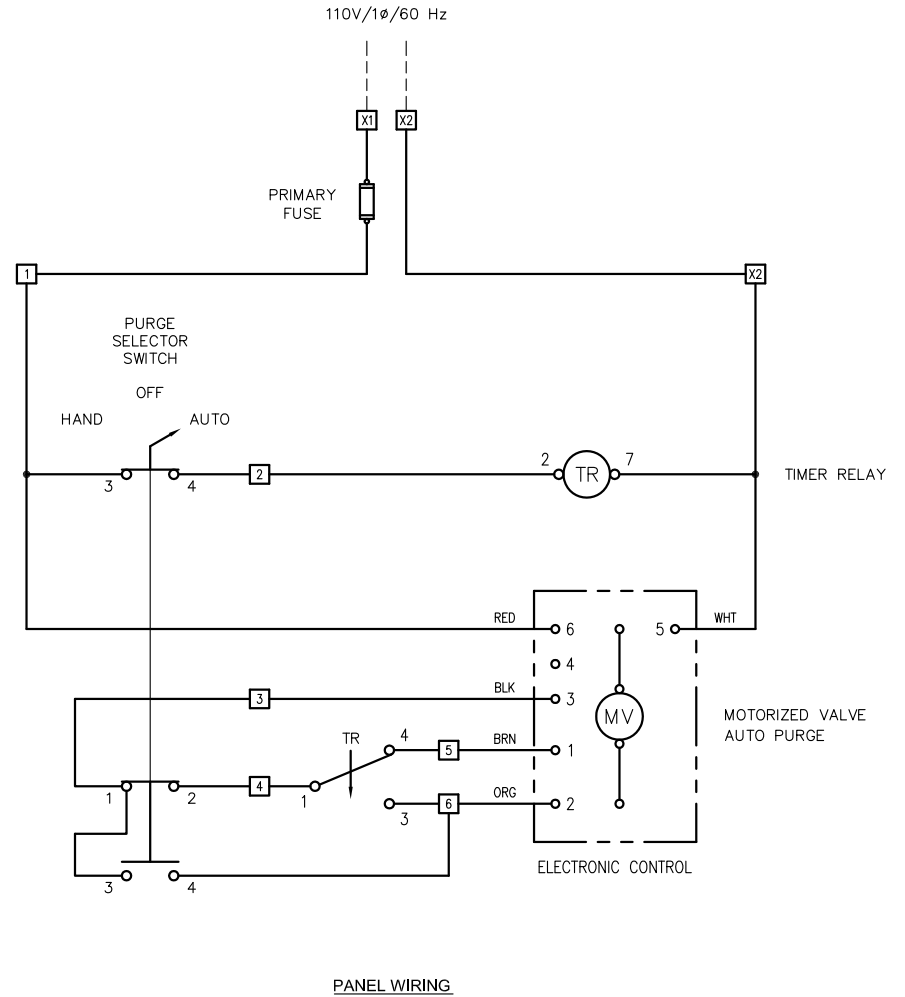
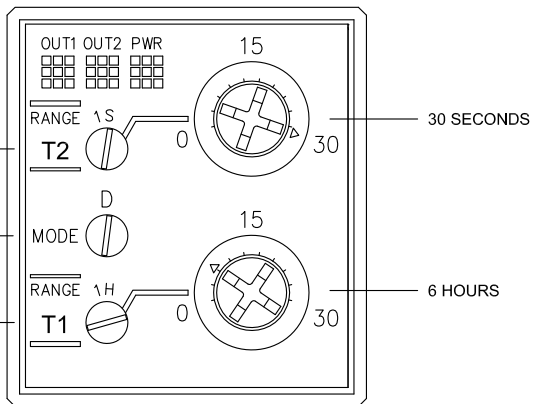
MIDDLE DIAL (MODE) : TIMER OPERATION MODE
FACTORY SETTING : "D"

CYCLE TIME

LOWER DIAL (T1) : FREQUENCY OF PURGING
RANGE (1H) : 36 MINUTES TO 30 HOURS
FACTORY SETTING : EVERY 6 HOURS

PURGING TIME

UPPER DIAL (T2) : DURATION OF PURGING
RANGE (1S) : 0.6 TO 30 SECONDS
FACTORY SETTING : 30 SECONDS



PROPRIETARY AND CONFIDENTIAL THE INFORMATION CONTAINED IN THIS DRAWING IS THE SOLE PROPERTY OF PUROFLUX CORPORATION. ANY REPRODUCTION IN PART OR AS A WHOLE WITHOUT THE WRITTEN PERMISSION OF PUROFLUX CORPORATION IS STRICTLY PROHIBITED.	WIRING DIAGRAM : 120V/1φ/60Hz AUTOMATIC PURGE PANEL - VALBIA		
	SIZE C DWG NO. 612-0045 DRAWN K. CARTER	REV B RELEASE DATE 02-01-02 SCALE NONE	
			SHEET 1 OF 1