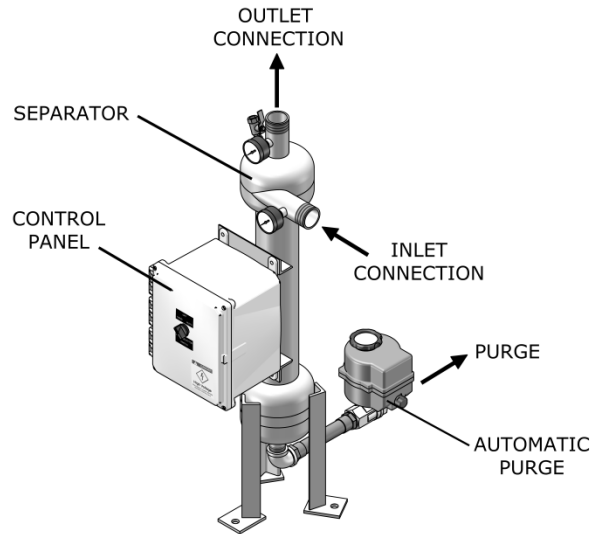


PF-61-007 SPECIFICATION SHEET THREADED SEPARATOR



Features:

- True tangential entry
- 150 psi working pressure
- Five year limited warranty
- Electrically actuated ball valve

Options:

- Manual purge
- Isolation valve kit
- Wall mounting brackets
- Inspection port

SYSTEM COMPONENTS

Separator :

- Carbon steel construction
- Fusion-bond polyester coated vessel
- Manual air bleed valve
- Inlet/Outlet pressure gauges

Electrical Controls :

- NEMA 4X Enclosure
- Short circuit protection
- Purge switch selector
- Adjustable purge timer

| SPECIFICATIONS | PF-61-007 |
|--------------------------|-----------|
| Flow Range | 12-24 GPM |
| System Inlet Connection | 3/4" mpt |
| System Outlet Connection | 3/4" mpt |
| Purge Connection | 3/4" fpt |
| Manual Air Bleed Valve | 1/4" fpt |
| Volume | 1 GAL |
| Est. Weight, Dry | 18 lbs |
| Est. Weight, Operating | 28 lbs |

| PRESSURE DROP vs. FLOW RATE | | | | | | | |
|-----------------------------|-------|-------|-------|-------|--------|--------|-----------|
| Pressure Drop | 3 psi | 4 psi | 6 psi | 8 psi | 10 psi | 12 psi | CV Factor |
| Flow (GPM) | 12 | 14 | 17 | 20 | 22 | 24 | 7.0 |

*(Flow rate / CV values may vary slightly)

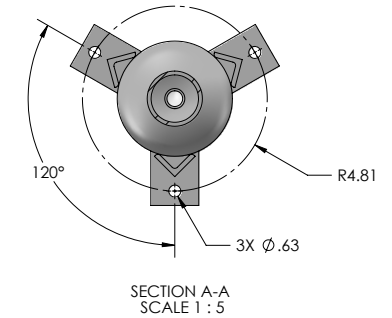
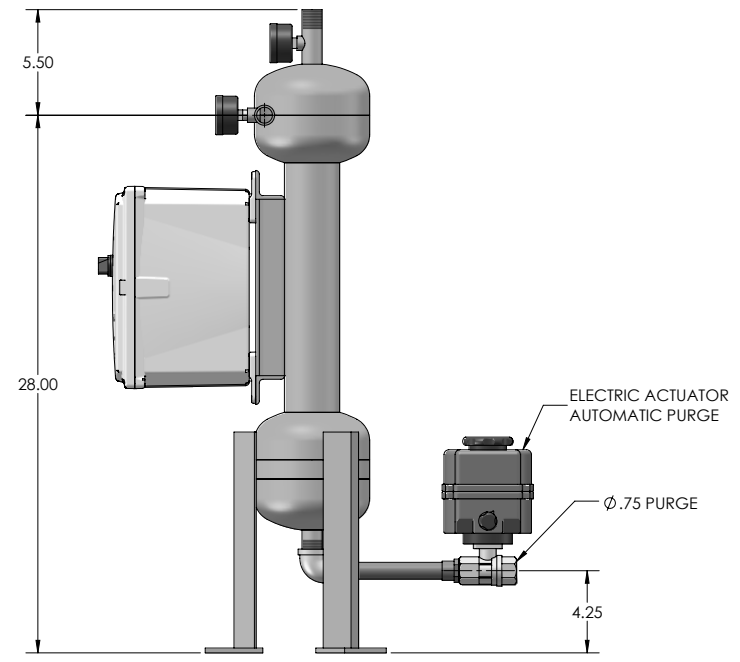
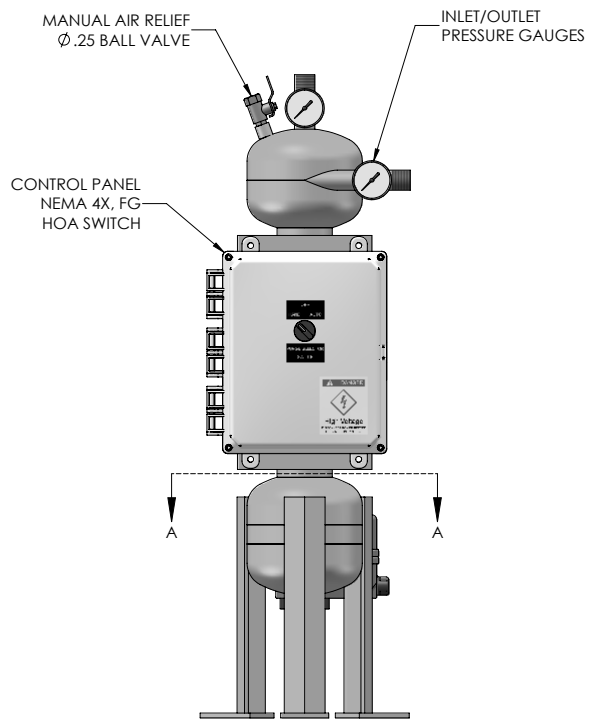
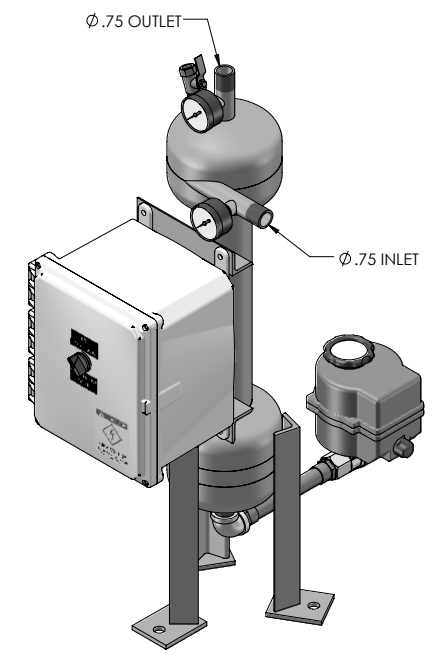
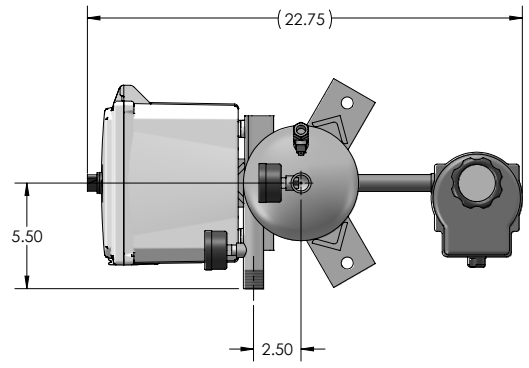
To determine the approximate pressure drop at flow rates not shown in this chart, use the following formula $\Delta P = (\text{FLOW RATE} / \text{CV})^2$


CV Factor: CV is defined as the flow in gallons per minute (GPM) that will produce a one pound pressure drop across the separator

NOTES: UNLESS OTHERWISE SPECIFIED

1. DIMENSIONS ARE IN INCHES
2. DIMENSIONS MAY VARY SLIGHTLY - DO NOT USE FOR CONSTRUCTION
3. SEPARATOR SYSTEM IS RATED FOR 150 PSI WORKING PRESSURE
4. VESSEL CONSTRUCTION: CARBON STEEL TANK
EPOXY COATED EXTERIOR

| REVISIONS | | | |
|-----------|-----------------------|----------|----------|
| REV | DESCRIPTION | DATE | APPROVED |
| A | UPDATED TO SOLIDWORKS | 06-16-09 | D.L. |



| | | | |
|--|---|--|--|
| PROPRIETARY AND CONFIDENTIAL THE INFORMATION CONTAINED IN THIS DRAWING IS THE SOLE PROPERTY OF PUROFLUX CORPORATION. ANY REPRODUCTION IN PART OR AS A WHOLE WITHOUT THE WRITTEN PERMISSION OF PUROFLUX CORPORATION IS PROHIBITED. | PF61-007-AP HYDROCYCLONE SEPARATOR 12-24 GPM - WITH MTG LEGS | |  PUROFLUX CORPORATION |
| | SIZE C DWG NO. 611-0140 DRAWN K. CARTER | REV A RELEASE DATE 06-14-00 SCALE NONE | |

| REVISIONS | | | |
|-----------|---------------|---------|----------|
| REV | DESCRIPTION | DATE | APPROVED |
| B | REVISED TIMER | 5-24-16 | K.C. |

WARNING !!!!!

THE EMERGENCY "MAN" SWITCH AND EXTERNAL HAND WHEEL LOCATED ON THE PURGE ACTUATOR ARE ONLY TO BE USED WHEN THERE IS NO POWER TO THE ACTUATOR. DISCONNECT POWER TO THE CONTROL PANEL BEFORE USING THIS FEATURE OR DAMAGE MAY OCCUR TO THE ACTUATOR.

THIS FEATURE IS FOR EMERGENCIES ONLY!

IF VALVE DOES NOT OPEN OR CLOSE FULLY ADJUST ACTUATOR CAMS TO CORRECT THE PROBLEM.

TIMER SETTINGS

THE PUROFLUX AUTO PURGE TIMER IS EQUIPPED WITH CONTROL DIALS TO PROGRAM THE PURGING CYCLES TO MATCH YOUR SPECIFIC NEEDS.

**** POWER SHOULD BE TURNED OFF BEFORE CHANGING SETTINGS ****

OPERATION MODE

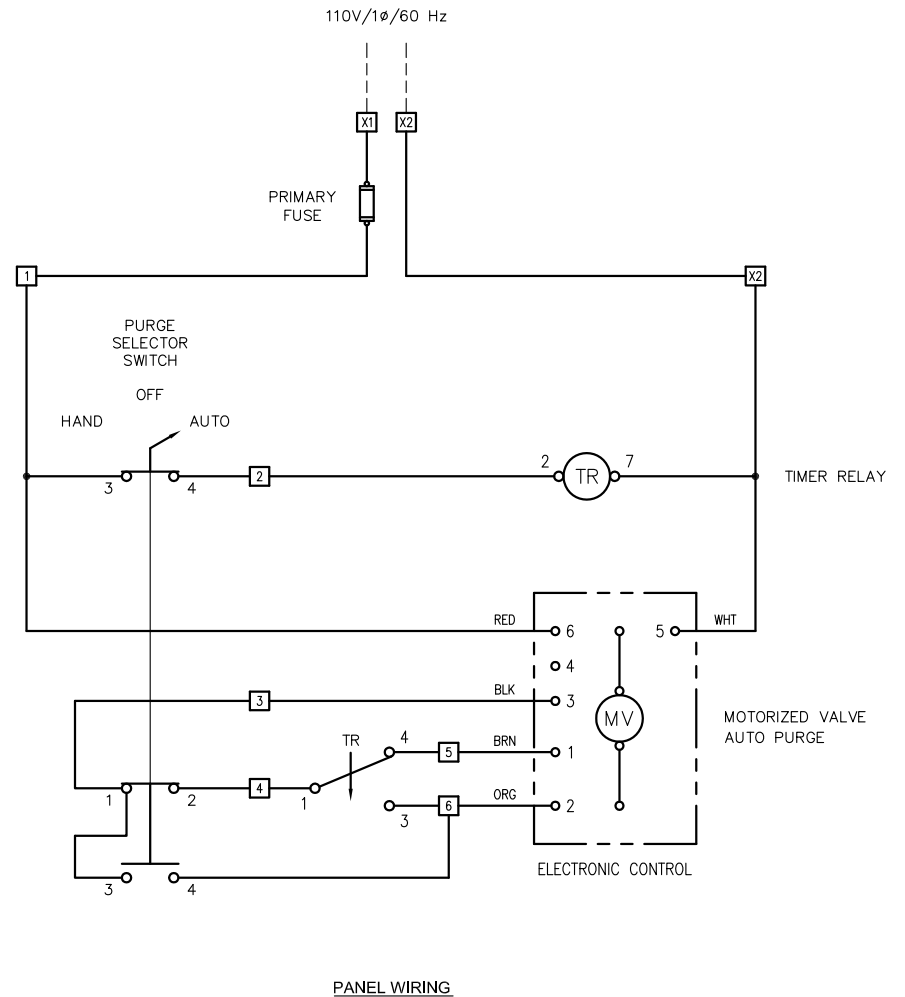
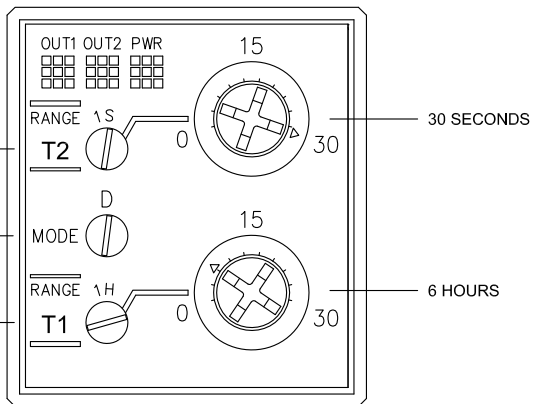
MIDDLE DIAL (MODE) : TIMER OPERATION MODE
FACTORY SETTING : "D"

CYCLE TIME

LOWER DIAL (T1) : FREQUENCY OF PURGING
RANGE (1H) : 36 MINUTES TO 30 HOURS
FACTORY SETTING : EVERY 6 HOURS

PURGING TIME

UPPER DIAL (T2) : DURATION OF PURGING
RANGE (1S) : 0.6 TO 30 SECONDS
FACTORY SETTING : 30 SECONDS



| | | | | |
|---|---|-----------------------|-------|--------------|
| PROPRIETARY AND CONFIDENTIAL THE INFORMATION CONTAINED IN THIS DRAWING IS THE SOLE PROPERTY OF PUROFLUX CORPORATION. ANY REPRODUCTION IN PART OR AS A WHOLE WITHOUT THE WRITTEN PERMISSION OF PUROFLUX CORPORATION IS STRICTLY PROHIBITED. | WIRING DIAGRAM : 120V/1φ/60Hz AUTOMATIC PURGE PANEL - VALBIA | | REV B | |
| | SIZE C DWG NO. 612-0045 | RELEASE DATE 02-01-02 | | |
| DRAWN K. CARTER | SHEET 1 OF 1 | | | SHEET 1 OF 1 |