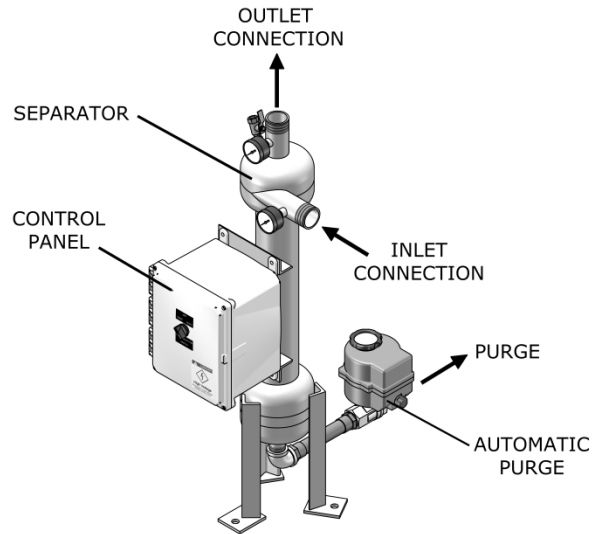


## PF-61-005 SPECIFICATION SHEET THREADED SEPARATOR



### Features:

- True tangential entry
- 150 psi working pressure
- Five year limited warranty
- Electrically actuated ball valve

### Options:

- Manual purge
- Isolation valve kit
- Wall mounting brackets
- Inspection port

## SYSTEM COMPONENTS

### Separator :

- Carbon steel construction
- Fusion-bond polyester coated vessel
- Manual air bleed valve
- Inlet/Outlet pressure gauges

### Electrical Controls :

- NEMA 4X Enclosure
- Short circuit protection
- Purge switch selector
- Adjustable purge timer

SPECIFICATIONS	PF-61-005
Flow Range	6-12 GPM
System Inlet Connection	1/2" mpt
System Outlet Connection	1/2" mpt
Purge Connection	1/2" fpt
Manual Air Bleed Valve	1/4" fpt
Volume	1 GAL
Est. Weight, Dry	17 lbs
Est. Weight, Operating	26 lbs

PRESSURE DROP vs. FLOW RATE							
Pressure Drop	3 psi	4 psi	6 psi	8 psi	10 psi	12 psi	CV Factor
Flow (GPM)	6	7	9	10	11	12	3.5

\*(Flow rate / CV values may vary slightly)

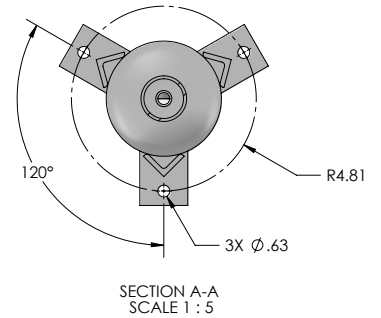
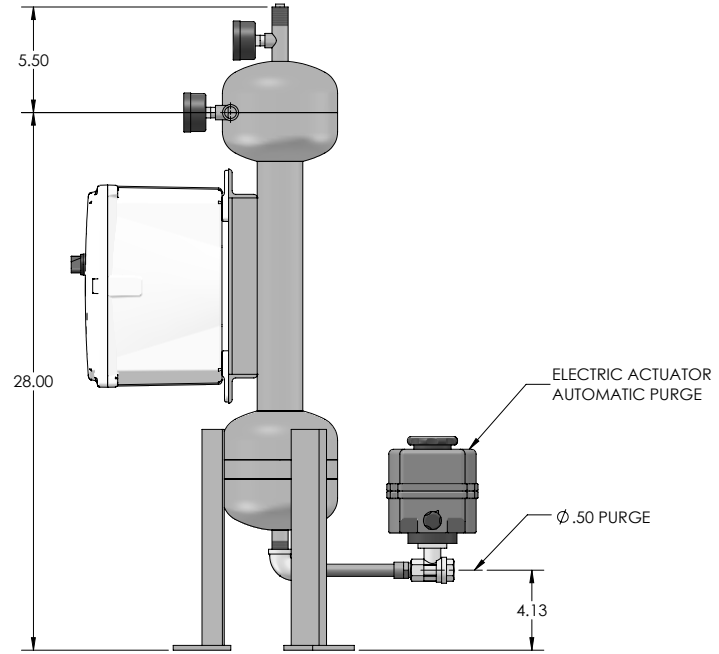
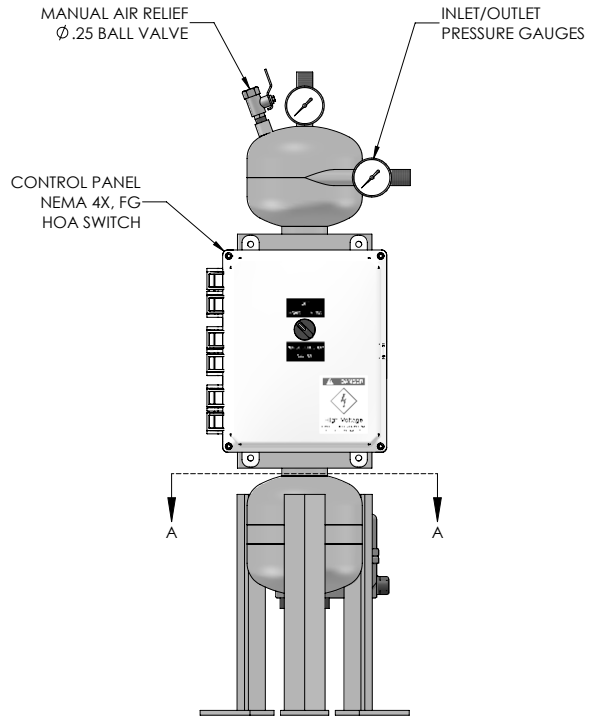
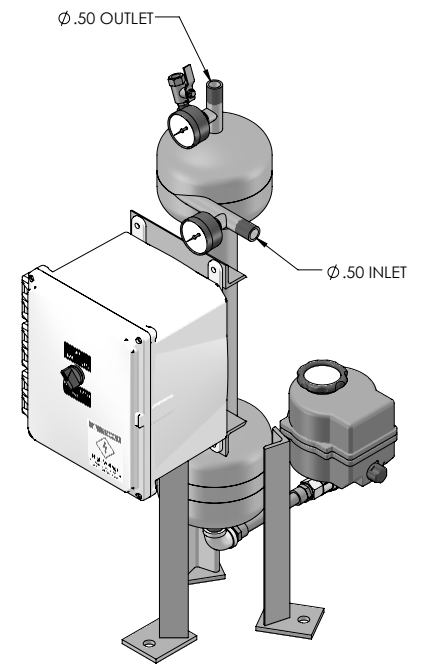
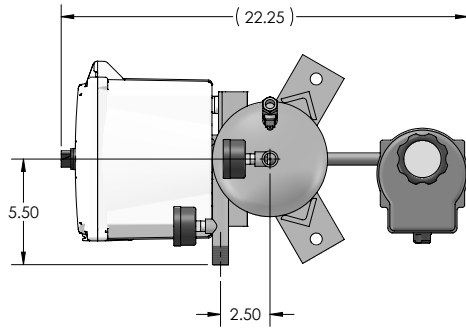
To determine the approximate pressure drop at flow rates not shown in this chart, use the following formula  $\Delta P = (\text{FLOW RATE} / \text{CV})^2$


CV Factor: CV is defined as the flow in gallons per minute (GPM) that will produce a one pound pressure drop across the separator

NOTES: UNLESS OTHERWISE SPECIFIED

1. DIMENSIONS ARE IN INCHES
2. DIMENSIONS MAY VARY SLIGHTLY - DO NOT USE FOR CONSTRUCTION
3. SEPARATOR SYSTEM IS RATED FOR 150 PSI WORKING PRESSURE
4. VESSEL CONSTRUCTION: CARBON STEEL TANK  
EPOXY COATED EXTERIOR

REVISIONS			
REV	DESCRIPTION	DATE	APPROVED
A	UPDATED TO SOLIDWORKS	07-08-09	D.L.



PROPRIETARY AND CONFIDENTIAL THE INFORMATION CONTAINED IN THIS DRAWING IS THE SOLE PROPERTY OF PUROFLUX CORPORATION. ANY REPRODUCTION IN PART OR AS A WHOLE WITHOUT THE WRITTEN PERMISSION OF PUROFLUX CORPORATION IS PROHIBITED.	PF61-005-AP-WL SEPARATOR 6-12 GPM - WITH MTG LEGS		REV A
	SIZE C	DWG NO. 611-0139	
RELEASE DATE 06-14-00		SCALE NONE	WWW.PUROFLUX.COM
			SHEET 1 OF 1

REVISIONS			
REV	DESCRIPTION	DATE	APPROVED
B	REVISED TIMER	5-24-16	K.C.

**WARNING !!!!!**

THE EMERGENCY "MAN" SWITCH AND EXTERNAL HAND WHEEL LOCATED ON THE PURGE ACTUATOR ARE ONLY TO BE USED WHEN THERE IS NO POWER TO THE ACTUATOR. DISCONNECT POWER TO THE CONTROL PANEL BEFORE USING THIS FEATURE OR DAMAGE MAY OCCUR TO THE ACTUATOR.

THIS FEATURE IS FOR EMERGENCIES ONLY!

IF VALVE DOES NOT OPEN OR CLOSE FULLY ADJUST ACTUATOR CAMS TO CORRECT THE PROBLEM.

**TIMER SETTINGS**

THE PUROFLUX AUTO PURGE TIMER IS EQUIPPED WITH CONTROL DIALS TO PROGRAM THE PURGING CYCLES TO MATCH YOUR SPECIFIC NEEDS.

**\*\* POWER SHOULD BE TURNED OFF BEFORE CHANGING SETTINGS \*\***

OPERATION MODE

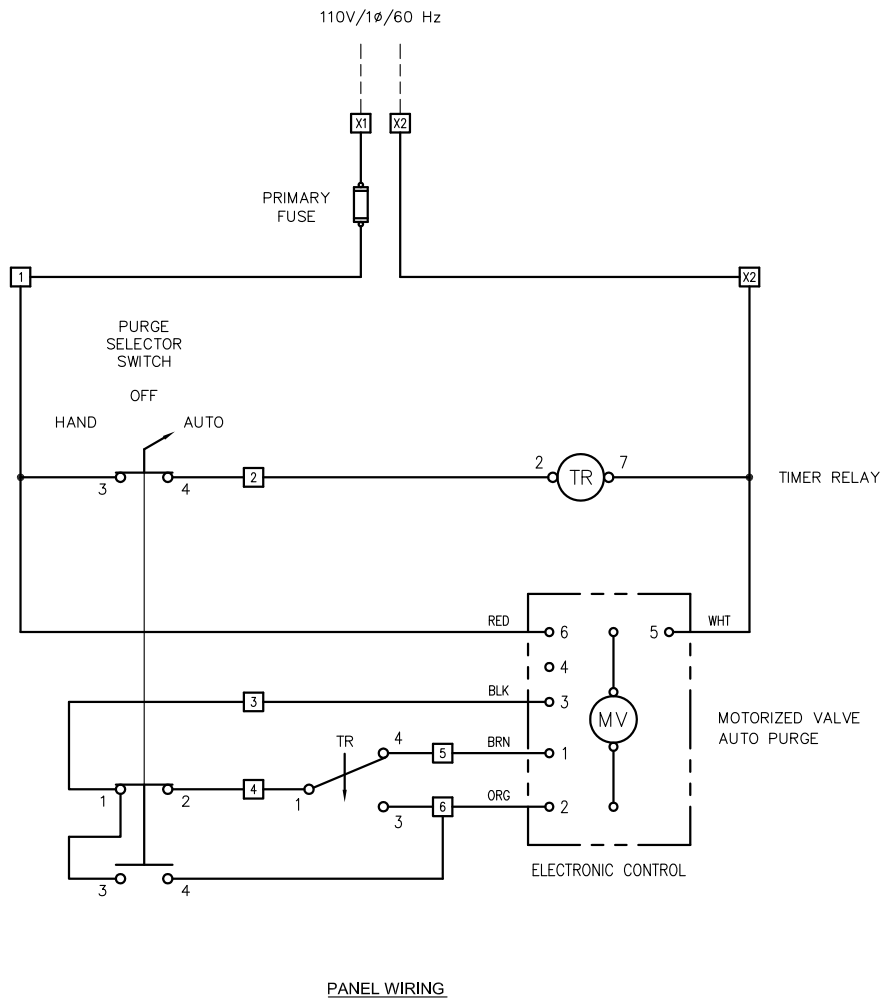
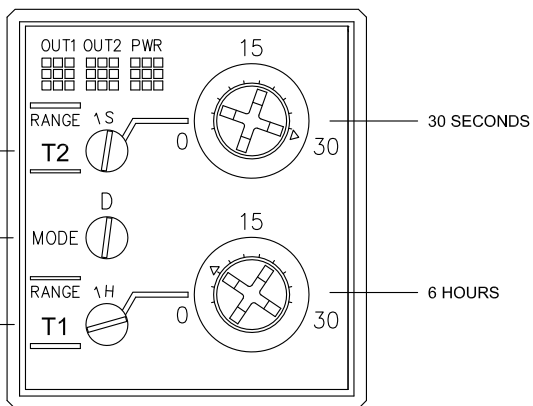
MIDDLE DIAL (MODE) : TIMER OPERATION MODE  
FACTORY SETTING : "D"

CYCLE TIME

LOWER DIAL (T1) : FREQUENCY OF PURGING  
RANGE (1H) : 36 MINUTES TO 30 HOURS  
FACTORY SETTING : EVERY 6 HOURS

PURGING TIME

UPPER DIAL (T2) : DURATION OF PURGING  
RANGE (1S) : 0.6 TO 30 SECONDS  
FACTORY SETTING : 30 SECONDS



PROPRIETARY AND CONFIDENTIAL THE INFORMATION CONTAINED IN THIS DRAWING IS THE SOLE PROPERTY OF PUROFLUX CORPORATION. ANY REPRODUCTION IN PART OR AS A WHOLE WITHOUT THE WRITTEN PERMISSION OF PUROFLUX CORPORATION IS STRICTLY PROHIBITED.	WIRING DIAGRAM : 120V/1φ/60Hz AUTOMATIC PURGE PANEL - VALBIA		REV B
	SIZE C	DWG NO. 612-0045	
DRAWN K. CARTER	RELEASE DATE 02-01-02	WWW.PUROFLUX.COM	SHEET 1 OF 1

