

4

3

2

1

NOTICE OF PROPRIETARY RIGHTS

This document contains confidential technical data, including trade secrets, proprietary to Puroflux, Inc. Disclosure of this data to you is expressly conditioned upon your assent that its use is limited to use within your company only (and does not include manufacture or processing uses). Any other use is strictly prohibited without the prior written consent of Puroflux, Inc.

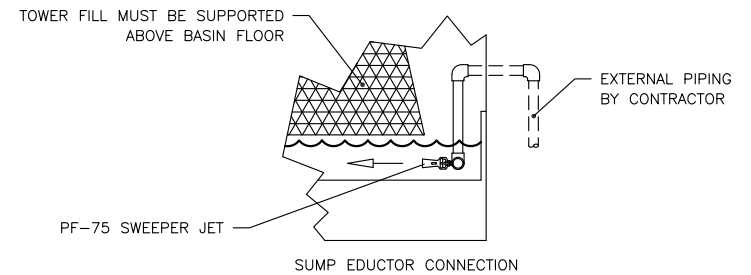
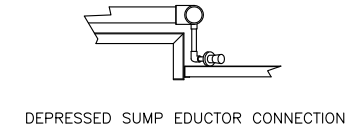
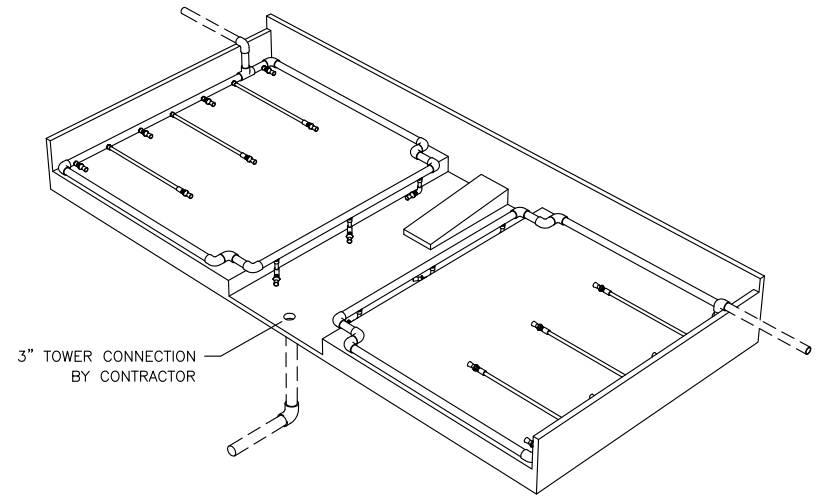
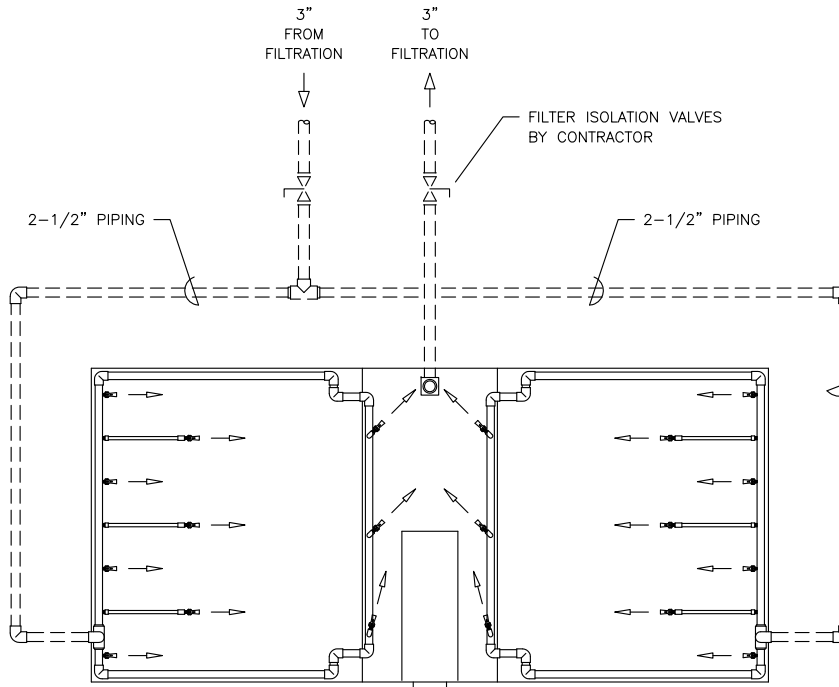
SUBMITTAL DRAWING

This drawing is submitted for spacial & illustrative purposes only. Do not pre-plumb to these dimensions.

REVISIONS			
REV	DESCRIPTION	DATE	APPROVED

NOTES:

1. DRAWING NOT TO SCALE
2. PLUMBING SHOWN FOR ILLUSTRATION PURPOSES ONLY - ACTUAL PLUMBING MAY VARY
3. FLOODED SUCTION REQUIRED PRIOR TO STARTING SYSTEM - PUMP CHECK VALVE MAY BE REQUIRED : SUPPLIED BY CONTRACTOR
4. ALL PIPE SECTIONS TO BE FIELD CUT TO PROPER LENGTH - BY CONTRACTOR
5. SWEEPER JETS MUST REMAIN SUBMERGED BELOW WATER LEVEL
6. TOWER FILL MUST BE SUPPORTED ABOVE BASIN FLOOR



EQUIPMENT	FLOW RATE	HP	CONNECTION	JOB NAME
PF-3042	190 GPM	5 HP	3 INCH	PUROFLUX REP
PF-63-030	220 GPM	7.5 HP	3 INCH	
PF-64-030	220 GPM	7.5 HP	3 INCH	

MATERIAL	UNLESS OTHERWISE NOTED DIMENSIONS ARE IN INCHES DO NOT SCALE THIS DRAWING
HEAT TREAT	INTERPRET DRAWING PER APPLICABLE STANDARDS
FINISH	DECIMALS ANGLES SURFACE FINISH XX ± - ± - XXX ± -
NEXT ASSEMBLY APPLICATION	THREADS PER NBS HANDBOOK-H28 CONCENTRICITIES .010 TIR BREAK CORNERS .005-.015 INTERNAL RADI .015-.030

PROJ. NO.	DRAWN
CHECKED	DESIGN APPROVED
MFG APPROVED	QA APPROVED
RELEASE DATE	

SIZE	CAGE CODE	DWG. NO.	REV
C			
SCALE	NONE		

SUMP SWEEPER PIPING LAYOUT
MARLEY NC SERIES : 8.5' X 18'

2121 UNION PLACE
SIMI VALLEY CA 93065
PHONE: (805) 579-0216
FAX: (805) 579-6005

SHEET 1 OF 1

4

3

2

1

A

A

DWG. NO. SH REV