

4

3

2

1

NOTICE OF PROPRIETARY RIGHTS

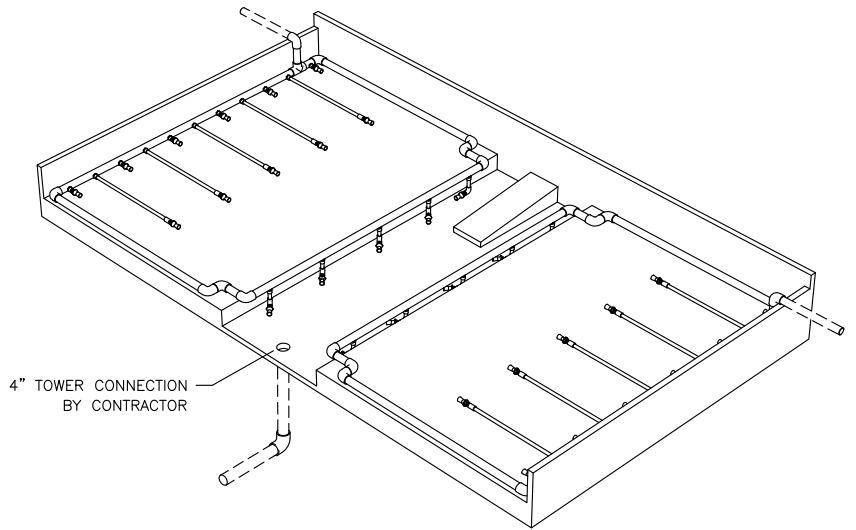
This document contains confidential technical data, including trade secrets, proprietary to Puroflux, Inc. Disclosure of this data to you is expressly conditioned upon your assent that its use is limited to use within your company only (and does not include manufacture or processing uses). Any other use is strictly prohibited without the prior written consent of Puroflux, Inc.

SUBMITTAL DRAWING

This drawing is submitted for spacial & illustrative purposes only. Do not pre-plumb to these dimensions.

REVISIONS			
REV	DESCRIPTION	DATE	APPROVED

- NOTES:
1. DRAWING NOT TO SCALE
 2. PLUMBING SHOWN FOR ILLUSTRATION PURPOSES ONLY - ACTUAL PLUMBING MAY VARY
 3. FLOODED SUCTION REQUIRED PRIOR TO STARTING SYSTEM - PUMP CHECK VALVE MAY BE REQUIRED : SUPPLIED BY CONTRACTOR
 4. ALL PIPE SECTIONS TO BE FIELD CUT TO PROPER LENGTH - BY CONTRACTOR
 5. SWEEPER JETS MUST REMAIN SUBMERGED BELOW WATER LEVEL
 6. TOWER FILL MUST BE SUPPORTED ABOVE BASIN FLOOR



4" TOWER CONNECTION BY CONTRACTOR

4" FROM FILTRATION

4" TO FILTRATION

FILTER ISOLATION VALVES BY CONTRACTOR

3" PIPING

3" PIPING

EXTERNAL PIPING BY CONTRACTOR

DEPRESSED SUMP EDUCTOR CONNECTION

TOWER FILL MUST BE SUPPORTED ABOVE BASIN FLOOR

EXTERNAL PIPING BY CONTRACTOR

PF-75 SWEEPER JET

SUMP EDUCTOR CONNECTION

D

D

C

C

B

B

A

A

EQUIPMENT	FLOW RATE	HP	CONNECTION	JOB NAME
PF-4054	315 GPM	7.5 HP	4 INCH	PUROFLUX REP
PF-63-040A	330 GPM	10 HP	4 INCH	
PF-64-040A	330 GPM	10 HP	4 INCH	

MATERIAL	UNLESS OTHERWISE NOTED DIMENSIONS ARE IN INCHES DO NOT SCALE THIS DRAWING	PROJ. NO.	SUMP SWEEPER PIPING LAYOUT MARLEY NC SERIES : 14' X 22.5'	
	HEAT TREAT	DRAWN		
	FINISH	INTERPRET DRAWING PER APPLICABLE STANDARDS		CHECKED
		DECIMALS ANGLES SURFACE FINISH XX ± - ± - - XXX ± -		DESIGN APPROVED
NEXT ASSEMBLY APPLICATION	THREADS PER NBS HANDBOOK-H28 CONCENTRICITIES .010 TIR BREAK CORNERS .005-.015 INTERNAL RADI .015-.030	MFG APPROVED QA APPROVED RELEASE DATE	<p>2121 UNION PLACE SIMI VALLEY CA 93065 PHONE: (805) 579-0216 FAX: (805) 579-6005</p>	
SIZE C	CAGE CODE	DWG. NO.	REV	
SCALE NONE	SHEET 1 OF 1			

4

3

2

1

DWG. NO.

SH

REV