

4

3

2

1

NOTICE OF PROPRIETARY RIGHTS

This document contains confidential technical data, including trade secrets, proprietary to Puroflux, Inc. Disclosure of this data to you is expressly conditioned upon your assent that its use is limited to use within your company only (and does not include manufacture or processing uses). Any other use is strictly prohibited without the prior written consent of Puroflux, Inc.

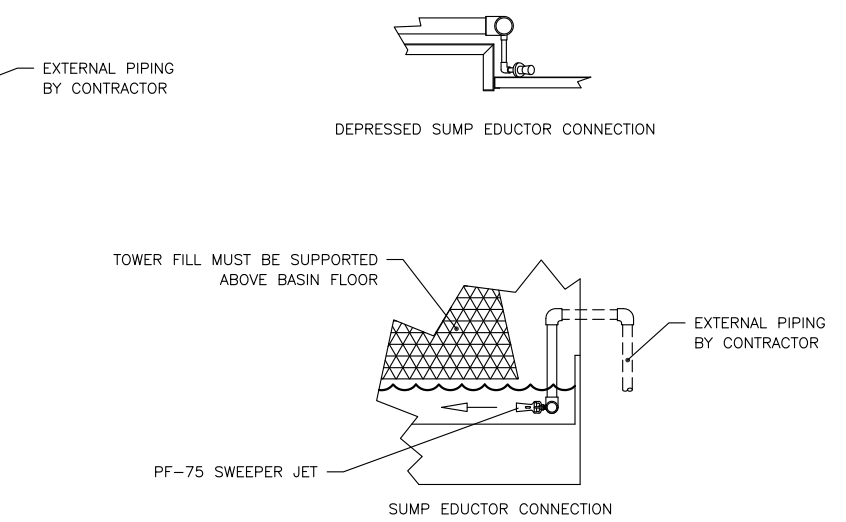
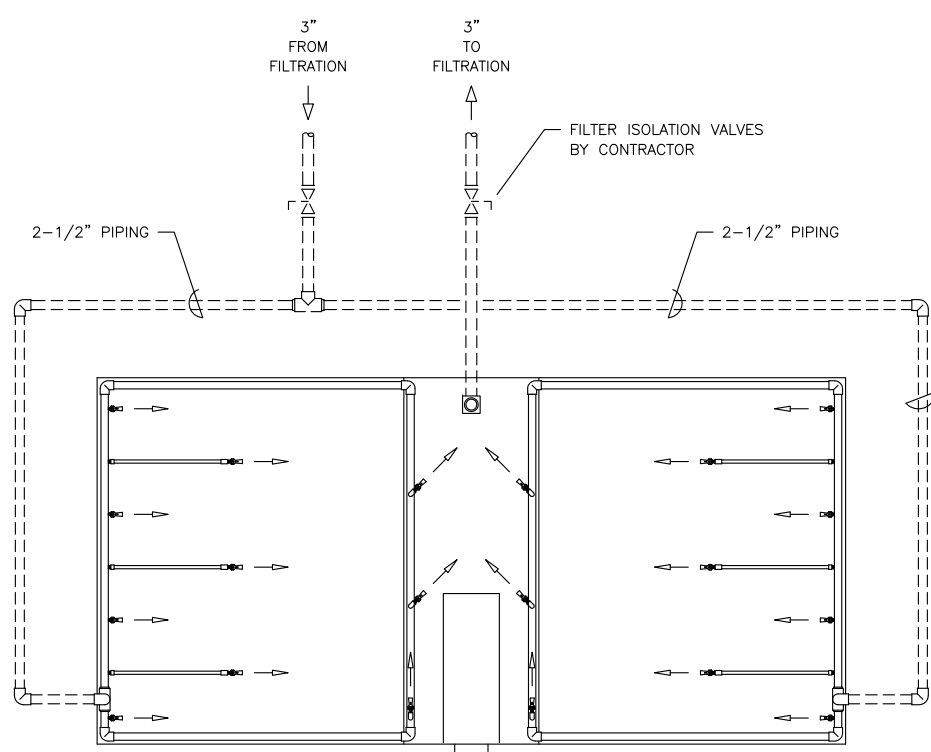
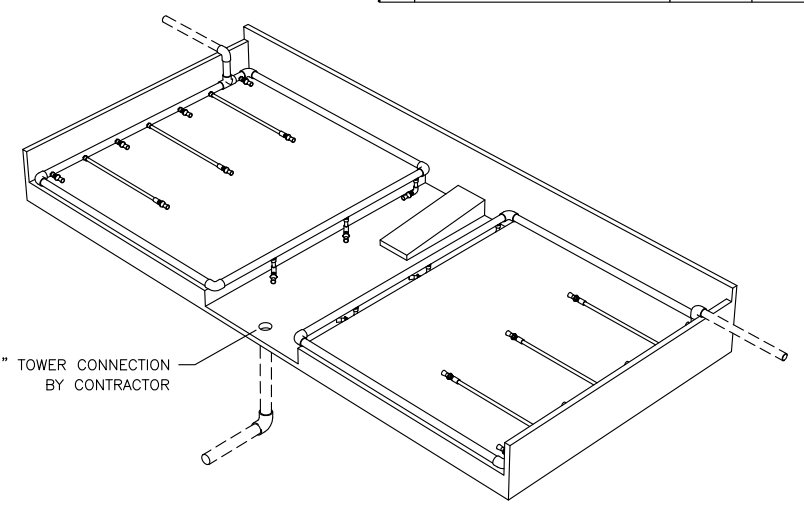
SUBMITTAL DRAWING

This drawing is submitted for spacial & illustrative purposes only. Do not pre-plumb to these dimensions.

REVISIONS			
REV	DESCRIPTION	DATE	APPROVED

NOTES:

- 1. DRAWING NOT TO SCALE
- 2. PLUMBING SHOWN FOR ILLUSTRATION PURPOSES ONLY - ACTUAL PLUMBING MAY VARY
- 3. FLOODED SUCTION REQUIRED PRIOR TO STARTING SYSTEM - PUMP CHECK VALVE MAY BE REQUIRED : SUPPLIED BY CONTRACTOR
- 4. ALL PIPE SECTIONS TO BE FIELD CUT TO PROPER LENGTH - BY CONTRACTOR
- 5. SWEEPER JETS MUST REMAIN SUBMERGED BELOW WATER LEVEL
- 6. TOWER FILL MUST BE SUPPORTED ABOVE BASIN FLOOR



EQUIPMENT	FLOW RATE	HP	CONNECTION	JOB NAME
PF-3042	190 GPM	5 HP	3 INCH	PUROFLUX REP
PF-63-030	220 GPM	7.5 HP	3 INCH	
PF-64-030	220 GPM	7.5 HP	3 INCH	

MATERIAL	UNLESS OTHERWISE NOTED	PROJ. NO.	<b>SUMP SWEEPER PIPING LAYOUT</b> <b>BAC SERIES 3000 : 10' X 20'</b> <b>PUROFLUX CORPORATION</b> 2121 UNION PLACE SIMI VALLEY CA 93065 PHONE: (805) 579-0216 FAX: (805) 579-6005
	DIMENSIONS ARE IN INCHES	DRAWN	
	DO NOT SCALE THIS DRAWING	CHECKED	
	INTERPRET DRAWING PER APPLICABLE STANDARDS	DESIGN APPROVED	
HEAT TREAT	DECIMALS .XX ± - ± -	MFG APPROVED	SIZE C
	ANGLES ± - -	QA APPROVED	CAGE CODE
FINISH	XXX ± -	RELEASE DATE	DWG. NO.
	THREADS PER NBS HANDBOOK-H28		REV
	CONCENTRICITIES .010 TR		SCALE NONE
NEXT ASSEMBLY APPLICATION	BREAK CORNERS .005-.015		SHEET 1 OF 1
	INTERNAL RADII .015-.030		

4

3

2

1

D

D

C

C

B

B

A

A

DWG. NO.

SH

REV